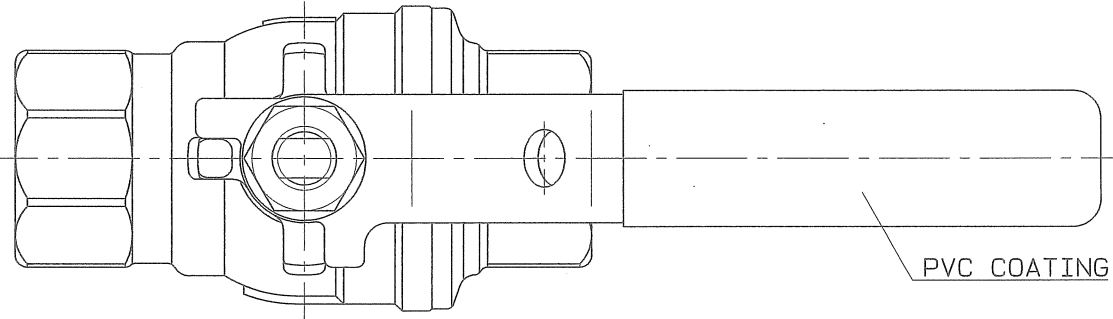


1 2 3 4 5 6 7 8

◇ Dwg. No. | BAMS-0923

SIZE	PIPE THREADS d	P	L	H	W	D	S	Q, TY
1/4	Rc 1/4	8	55	49	100	27	18	
3/8	Rc 3/8	10	57	50	100	30	22	
1/2	Rc 1/2	15	72	54	100	38	27	
3/4	Rc 3/4	20	82	64	130	46.5	33	
1	Rc 1	25	92	68	130	54	40	



PVC COATING

SPEC.		TEST PRESS.	
FLUID		SHELL	HYDRO 8.24 MPa (84 kgf/cm ²)
PRESS.	MPa (kgf/cm ²)	SEAT	AIR 0.6 MPa (6.1 kgf/cm ²)
TEMP.	°C	AIR	MPa (kgf/cm ²)

PIPE THREADS CONFORM WITH "JIS B 0203"
No.3 1/4, 3/8 B MATERIAL : SUS 316

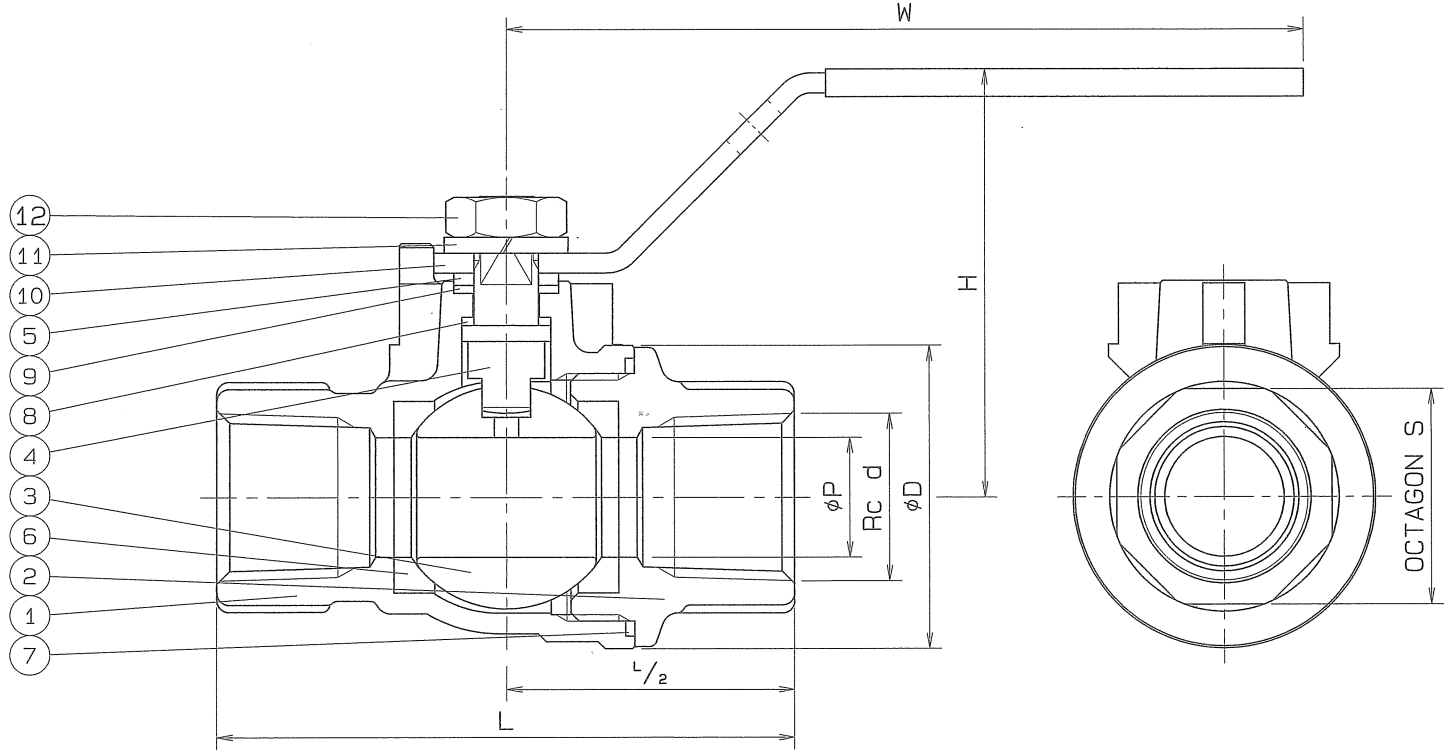
12	HEXAGON NUT	1	SUS 304	
11	SPRING WASHER	1	SUS 304	
10	HANDLE	1	SUS 304	
9	THRUST BEARING	1	P.T.F.E.	CARBON FILLED
8	THRUST PACKING	1	P.T.F.E.	CARBON FILLED
7	GASKET PACKING	1	P.T.F.E.	
6	BALL SEAT	2	P.T.F.E.	
5	GLAND	1	SUS 316	
4	STEM	1	SUS 316	
3	BALL DISC	1	SCS 14A	
2	BODY CAP	1	SCS 14	
1	BODY	1	SCS 14	

No.	NAME OF PARTS	Q. TY	MATERIALS	REMARKS
NAME 800 W.O.G. SCREWED ENDS MINI BALL VALVES FULL BORE				
TYPE N-620		SIZE 1/4 ~ 1 B		
Dwg.No. BAMS-0923		APPROVED BY <i>[Signature]</i>		
DATE APR. 12. 2007.		CHECKED BY <i>[Signature]</i>		
SCALE :		DESIGNED BY <i>[Signature]</i>		
THIRD ANGLE PROJECTION METHOD		DRAWN BY <i>[Signature]</i>		

O. N. INDUSTRIES LTD.

A
B
C
D
E
F

A
B
C
D
E
F



△		
△		
△		