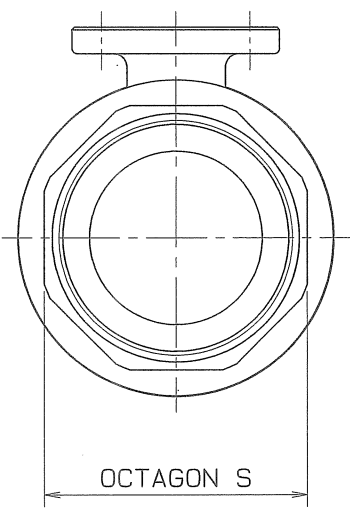
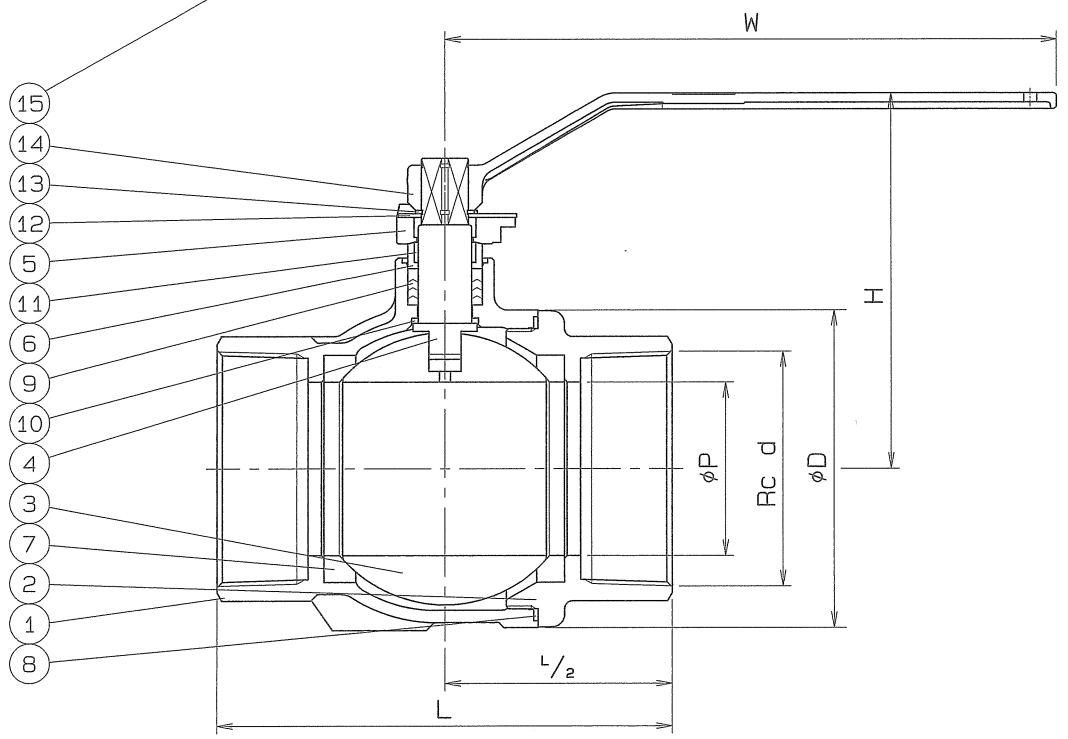
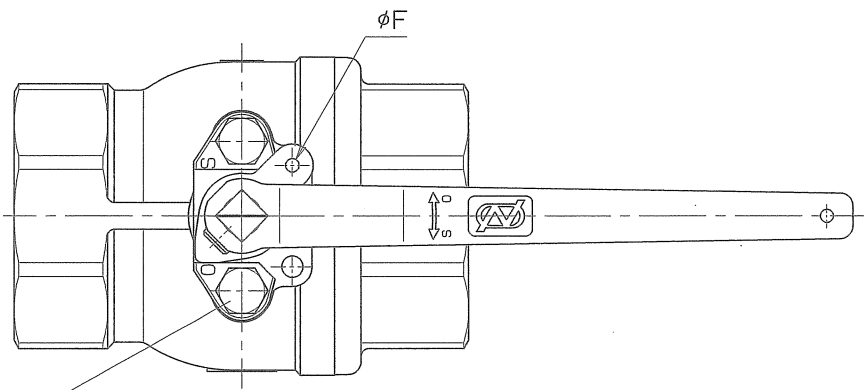


◇ Dwg. No. BAMS-0918

SIZE	PIPE THREADS	P	L	H	W	D	S	F	Q, TY
	d								
2 1/2	Rc 2 1/2	50	145	131	230	98	85	5.1	
3	Rc 3	65	170	141	230	119	99	5.1	

A  
B  
C  
D  
E  
F



SPEC.		TEST PRESS.	
FLUID		SHELL	HYDRO 2.1 MPa (21.4 kgf/cm <sup>2</sup> )
PRESS.	MPa ( kgf/cm <sup>2</sup> )	SEAT	AIR 0.6 MPa (6.1 kgf/cm <sup>2</sup> )
TEMP.	°C	AIR	MPa ( kgf/cm <sup>2</sup> )

PIPE THREADS CONFORM WITH "JIS B 0203"

No.	NAME OF PARTS	Q.TY	MATERIALS	REMARKS
15	GLAND BOLT	2	SUS 304	
14	HANDLE	1	SCS 13	
13	STOP RING	1	SUS 304	
12	STOPPER	1	SUS 304	
11	STEM BEARING	1	P.T.F.E.	GLASS FILLED
10	THRUST BEARING	1	P.T.F.E.	GLASS FILLED
9	GLAND PACKING	1SET	P.T.F.E.	
8	GASKET PACKING	1	P.T.F.E.	
7	BALL SEAT	2	P.T.F.E.	
6	GLAND SLEEVE	1	SUS 316	
5	GLAND	1	SCS 13	
4	STEM	1	SUS 316	
3	BALL DISC	1	SCS 14A	
2	BODY CAP	1	SCS 14A	
1	BODY	1	SCS 14A	

NAME	400 W.O.G. SCREWED ENDS MINI BALL VALVES REGULAR BORE		
TYPE	N-610	SIZE	2 1/2, 3 B
DWG.No.	BAMS-0918 ◇	APPROVED BY	K. Yamoto
DATE	APR. 12. 2007	CHECKED BY	[Signature]
SCALE	:	DESIGNED BY	[Signature]
THIRD ANGLE PROJECTION METHOD		DRAWN BY	K. Takatsuka

**O. N. INDUSTRIES LTD.**

△		
△		
△		