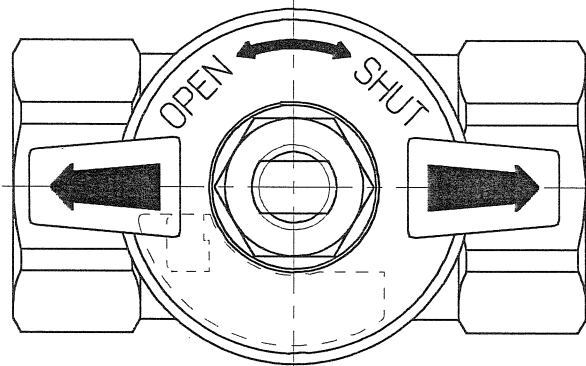
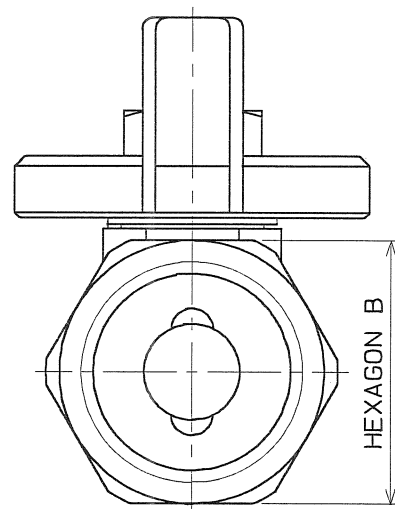
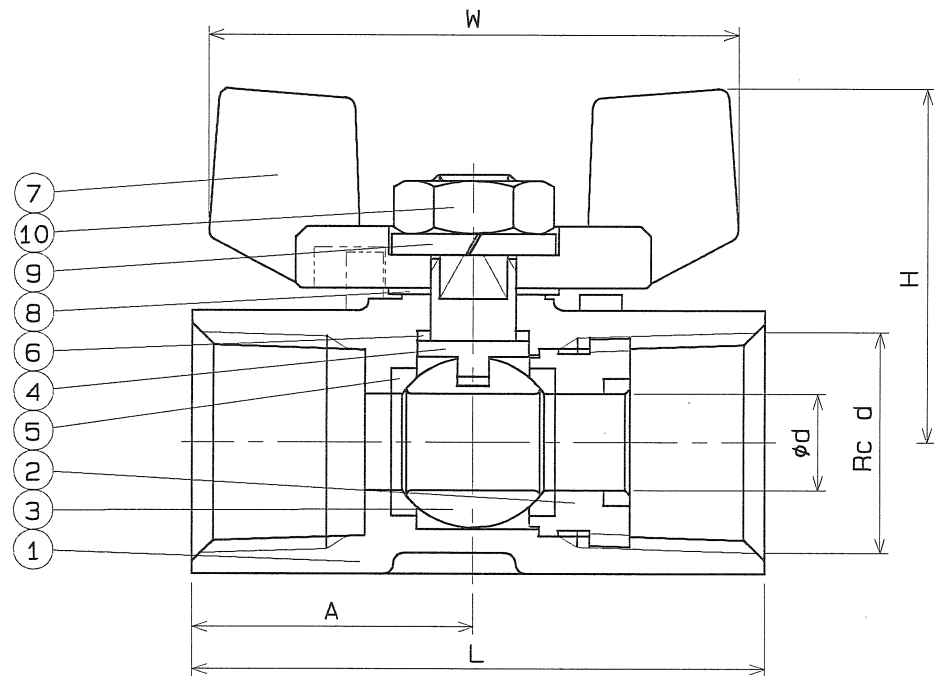


0090-SWVB | BAMS-0600



SIZE	d	L	PIPE THREADS		A	H	W	B	Q. TY
			D						
1/4	5	40	Rc	1/4	19	23	35	17	
3/8	7	42.5	Rc	3/8	21	27	40	20.5	
1/2	9	54	Rc	1/2	26.5	34	50	25	
3/4	12.5	58	Rc	3/4	29.5	37	50	30.5	



SPEC.		TEST PRESS.	
FLUID		SHELL	HYDRO 8.24 MPa (84 kgf/cm ²)
PRESS.	MPa (kgf/cm ²)	SEAT	AIR 0.6 MPa (6.1 kgf/cm ²)
TEMP.	°C	AIR	MPa (kgf/cm ²)

PIPE THREADS CONFORM WITH 'JIS B 0203'

No.	NAME OF PARTS	Q. TY	MATERIALS	REMARKS
10	HEXAGON NUT	1	SUS 304	
9	SPRING WASHER	1	SUS 304	
8	CONICAL WASHER	1	SUS 304	
7	HANDLE	1	PLASTIC	
6	THRUST PACKING	1	P. T. F. E.	Mo FILLED
5	BALL SEAT	2	P. T. F. E.	
4	STEM	1	SUS 316	
3	BALL DISC	1	SUS 316	
2	SEAT HOLDER	1	SUS 316	
1	BODY	1	SCS 14	

NAME	800 W.O.G. SCREWED ENDS MINI BALL VALVES REDUCED BORE		
TYPE	N-600	SIZE	1/4 ~ 3/4 B
DRG.No.	BAMS-0600	APPROVED BY	Y. SATO
DATE	MAY. 6. 1993.	CHECKED BY	K. TSUNETO
SCALE		DESIGNED BY	H. ASHIDA
THIRD ANGLE PROJECTION METHOD		DRAWN BY H. ASHIDA	

SI 単位記変更	'99. 5. 24.
----------	-------------

O. N. INDUSTRIES LTD.