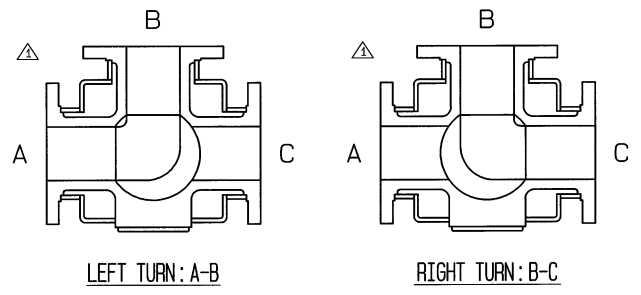
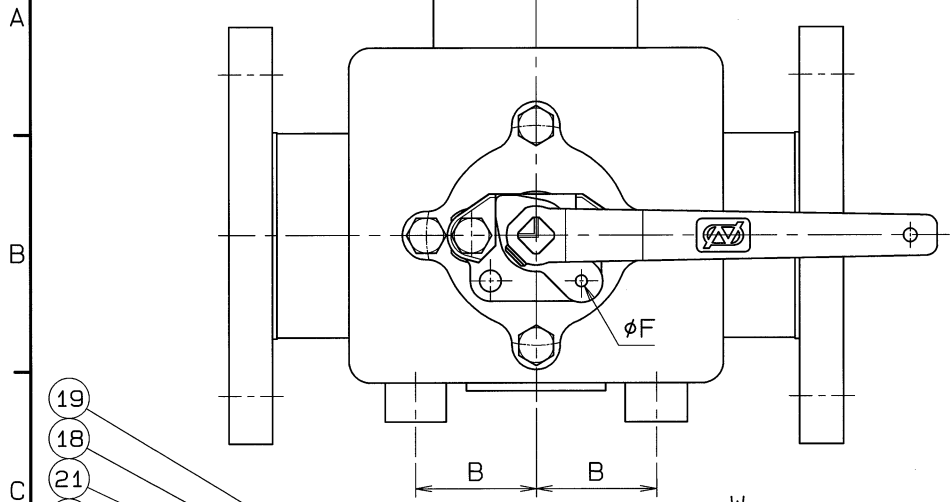


◇ 157-01 BAJT-0157 DWG No.

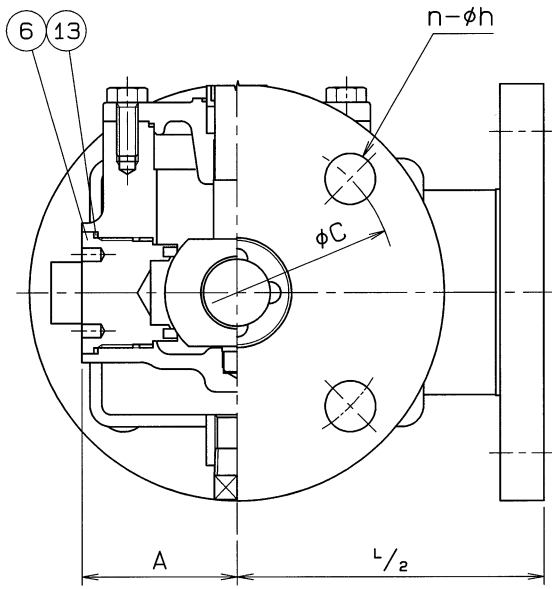
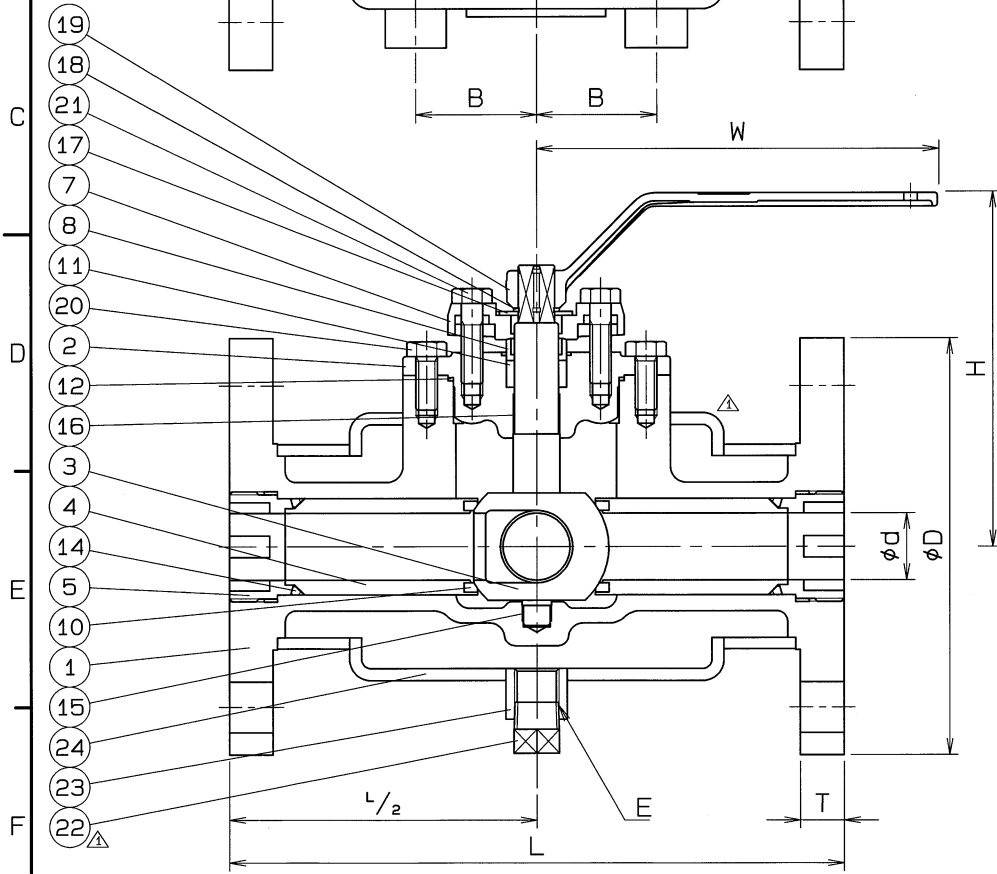
SIZE	FLANGE SIZE	d	L	D	T	BOLT HOLE			H	W	A	B	E	F	Q, TY
						C	n	h							
20	40	20	200	140	16	105	4	19	129	150	58	38	Rp 3/8	4.3	
25	50	25	230	155	16	120	4	19	132	150	58	45	Rp 3/8	4.3	
40	50	40	250	155	16	120	4	19	130	230	81	55	Rp 1/2	5.1	



SPEC.		TEST PRESS.	
FLUID		SHELL	HYDRO 2.1 MPa
PRESS.	MPa	SEAT	AIR 0.6 MPa
TEMP.	℃	JACKET	AIR 0.6 MPa

END FLANGED: JIS B 2220

24	JACKET		SS 400
23	SOCKET	3	SS 400
22	DRAIN PLUG	1	FCMB 27-05
21	GLAND BOLT	2	SUS 304
20	COVER BOLT	4	SUS 304
19	HANDLE	1	SCS 13
18	STOP RING	1	SUS 304
17	STOPPER	1	SUS 304
16	BEARING	1	P.T.F.E. #SUS 316
15	BEARING	1	P.T.F.E. #SUS 316
14	O RING	3	VITON
13	GASKET PACKING	1	P.T.F.E.
12	COVER PACKING	1	P.T.F.E.
11	GLAND PACKING	1set	P.T.F.E.
10	BALL SEAT	4	P.T.F.E.
8	GLAND SLEEVE	1	SUS 316
7	GLAND	1	SCS 13
6	SEAT HOLDER (C)	1	SUS 316
5	SEAT HOLDER (B)	3	SUS 316
4	SEAT HOLDER (A)	3	SUS 316
3	BALL DISC	1	SCS 14A
2	BODY COVER	1	SCS 14A
1	BODY	1	SCS 14A



△ ドレインプラグ材質変更、ボデー形状修正、蓋図図変更 '16. 6. 24.

No.	NAME OF PARTS	Q. TY	MATERIALS	REMARKS
NAME JIS 10K F.F. FLANGED ENDS 4-SEATS				
JACKET TYPE THREE WAY BALL VALVES L-PORT				
TYPE	N-7037L	SIZE	20 ~ 40 A	
DWG.No.	BAJT-0157 ◇	APPROVED BY	<i>R. Matsuda</i>	
DATE	JUL. 23. 2007	CHECKED BY	<i>R. Matsuda</i>	
SCALE	:	DESIGNED BY	<i>R. Matsuda</i>	
THIRD ANGLE PROJECTION METHOD		DRAWN BY <i>S. Ogiya</i>		

O. N. INDUSTRIES LTD.