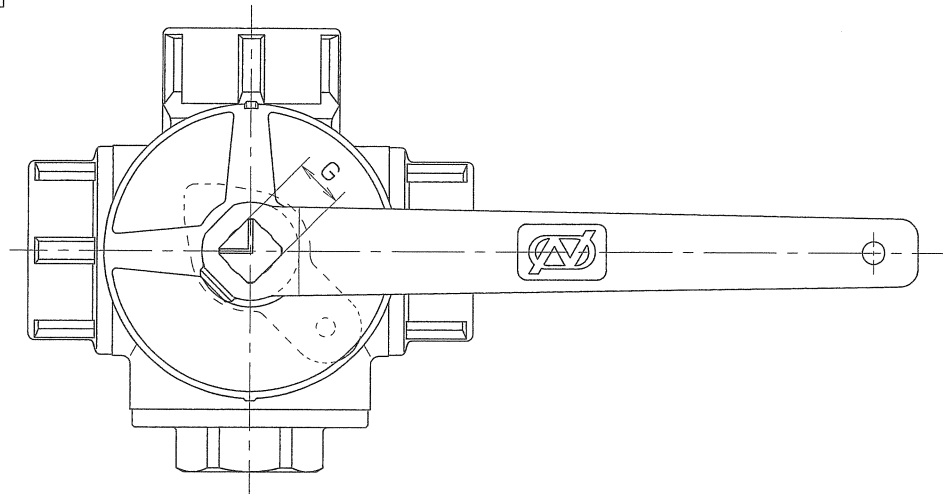
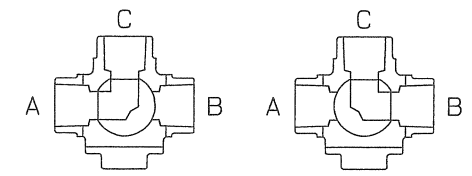


◆ 9680-S1VB 'ON SMC

SIZE	P	L	PIPE THREADS		A	H	W	C	E	G	Q, TY
			d								
1	20	100	Rc 1		49.5	105	150	77.5	27	11	
1-1/4	25	115	Rc 1-1/4		57	109	150	81	33.5	11	
1-1/2	32	125	Rc 1-1/2		65	122	230	97	40	14	
2	40	150	Rc 2		76	129	230	103.5	44	14	



FLOW DIRECTION



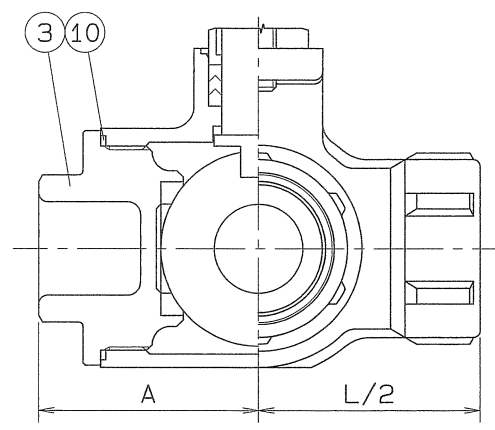
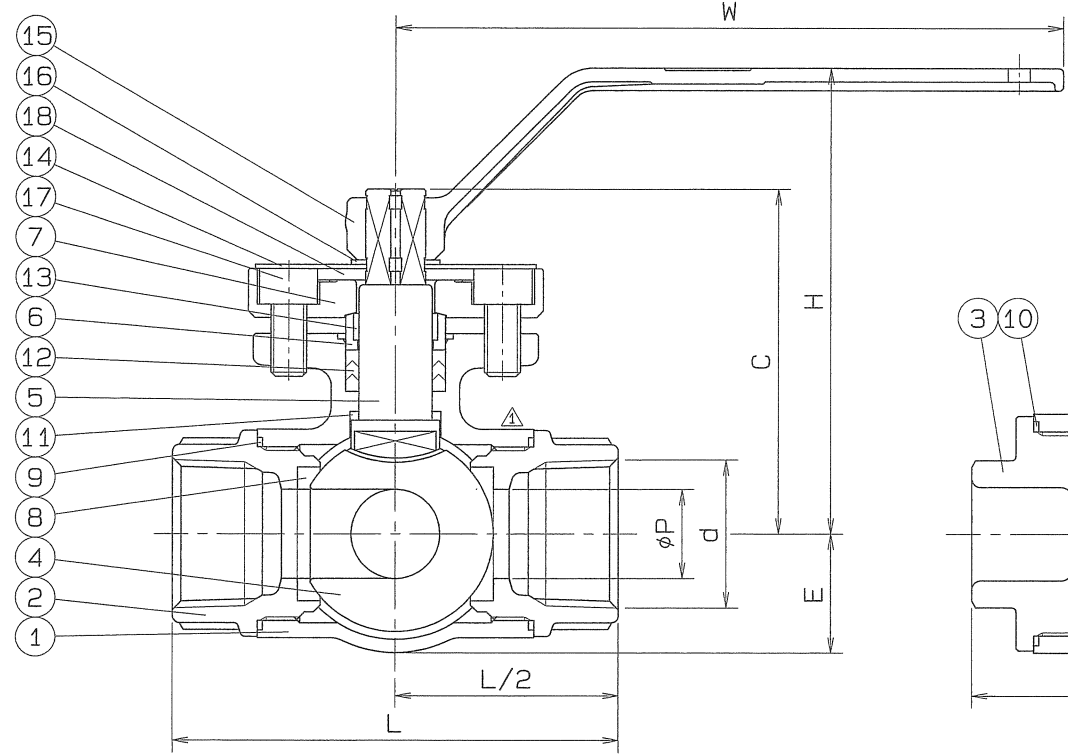
LEFT TURN : A-C

RIGHT TURN : B-C

PIPE THREADS CONFORM WITH 'JIS B 0203' TAPER THREADS

SPEC.		TEST PRESS.	
FLUID		SHELL	2.1 MPa (HV002) (21.4 kgf/cm <sup>2</sup> )
PRESS.	MPa ( kgf/cm <sup>2</sup> )	SEAT	0.6 MPa AIR (6.1 kgf/cm <sup>2</sup> )
TEMP.	°C	AIR	MPa ( kgf/cm <sup>2</sup> )

No.	NAME OF PARTS	Q. TY	MATERIALS	REMARKS
18	STOPPER	1	SUS 304	
17	GLAND BOLT	2	SUS 304	
16	STOP RING	1	SUS 304	
15	HAND LEVER	1	SCS 13	
14	FLOW PLATE	1	A1050P	
13	STEM BEARING	1	P.T.F.E.	GLASS FILLED
12	GLAND PACKING	1set	P.T.F.E.	
11	THRUST BEARING	1	P.T.F.E.	GLASS FILLED
10	GASKET PACKING	1	P.T.F.E.	
9	GASKET PACKING	2	P.T.F.E.	
8	BALL SEAT	4	P.T.F.E.	
7	GLAND	1	SCS 13	
6	GLAND SLEEVE	1	SUS 316	
5	STEM	1	SUS 304	
4	BALL DISC	1	SUS 304	
3	BLIND CAP	1	SCS 13	
2	BODY CAP	2	SCS 13	
1	BODY	1	SCS 13	



△	注釈の削除	'12. 1. 17.
△	注釈の追記	'06. 3. 13.
△	形状変更	'06. 2. 16.

No.	NAME OF PARTS	Q. TY	MATERIALS	REMARKS
NAME JIS 10K SCREWED ENDS THREE WAY BALL VALVES				
TYPE		N-730L	SIZE	1~2B
DWG.No.	BATS-0895	APPROVED BY	K. Isururo	
DATE	AUG. 2. 2004	CHECKED BY	A. Adhawa	
SCALE	:	DESIGNED BY	—	
THIRD ANGLE PROJECTION METHOD		DRAWN BY	K. Takahara	

**O. N. INDUSTRIES LTD.**