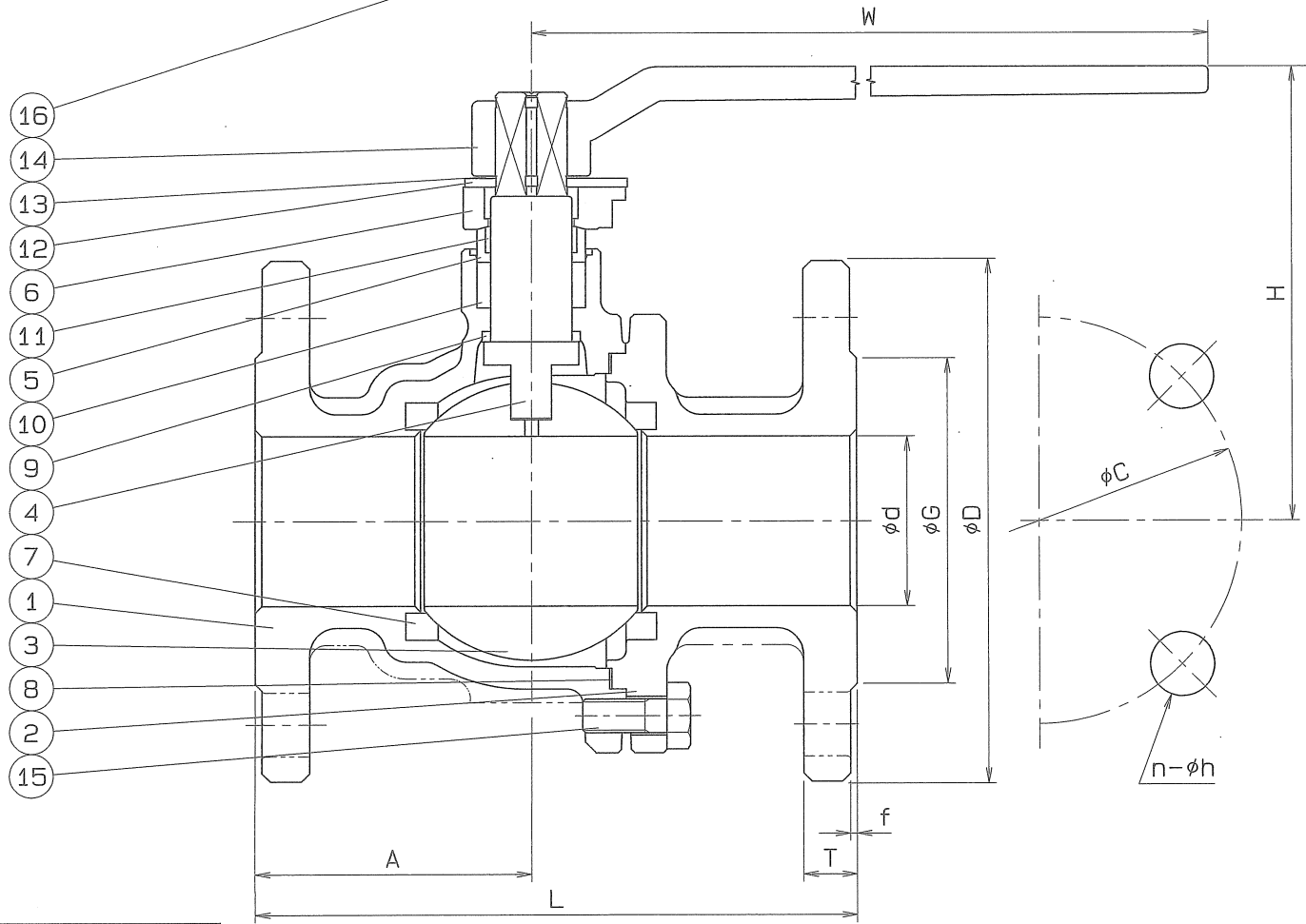
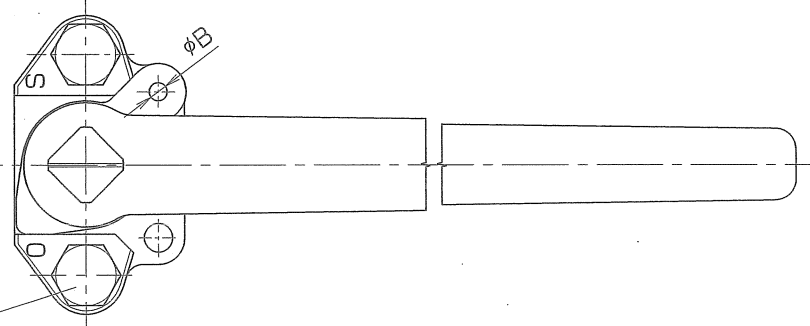


◇ DNG No. BASS-2358

SIZE	d	L	D	T	G	f	BOLT HOLE			H	W	A	B	Q, TY
							C	n	h					
50	50	178	155	16	96	2	120	4	19	133	320	81.5	5.1	
65	65	190	175	18	116	2	140	4	19	140	320	89.5	5.1	



SPEC.		TEST PRESSURE	
FLUID		SHELL	HYDRO 2.1 MPa (21.4 kgf/cm ²)
PRESS.	MPa (kgf/cm ²)	SEAT	0.6 MPa (6.1 kgf/cm ²)
TEMP.	°C	ATR	MPa (kgf/cm ²)

FACE TO FACE: JIS B 2002
END FLANGED: JIS B 2220

No.	NAME OF PARTS	Q. TY	MATERIALS	REMARKS
16	GLAND BOLT	2	SUS 304	
15	BODY CAP BOLT	6	SUS 304	
14	HANDLE	1	FCD 450	
13	STOP RING	1	SUS 304	
12	STOPPER	1	SUS 304	
11	STEM BEARING	1	P.T.F.E.	GLASS FILLED
10	GLAND PACKING	1 SET	P.T.F.E.	
9	THRUST BEARING	1	P.T.F.E.	GLASS FILLED
8	GASKET PACKING	1	P.T.F.E.	
7	BALL SEAT	2	P.T.F.E.	GLASS FILLED
6	GLAND	1	SCS 13	
5	GLAND SLEEVE	1	SUS 316	
4	STEM	1	SUS 304	
3	BALL DISC	1	SCS 13A	
2	BODY CAP	1	SCS 13A	
1	BODY	1	SCS 13A	

NAME	JIS 10K R.F. FLANGED ENDS STRAIGHT WAY BALL VALVES		
TYPE	J-715	SIZE	50 ~ 65 A
DNG No.	BASS-2358 ◇	APPROVED BY	<i>K. Nemoto</i>
DATE	APR. 02. 2007.	CHECKED BY	<i>S. Adachi</i>
SCALE	:	DESIGNED BY	-
THIRD ANGLE PROJECTION METHOD		DRAWN BY	<i>K. Takahashi</i>

O. N. INDUSTRIES LTD.

△		
△		
△		