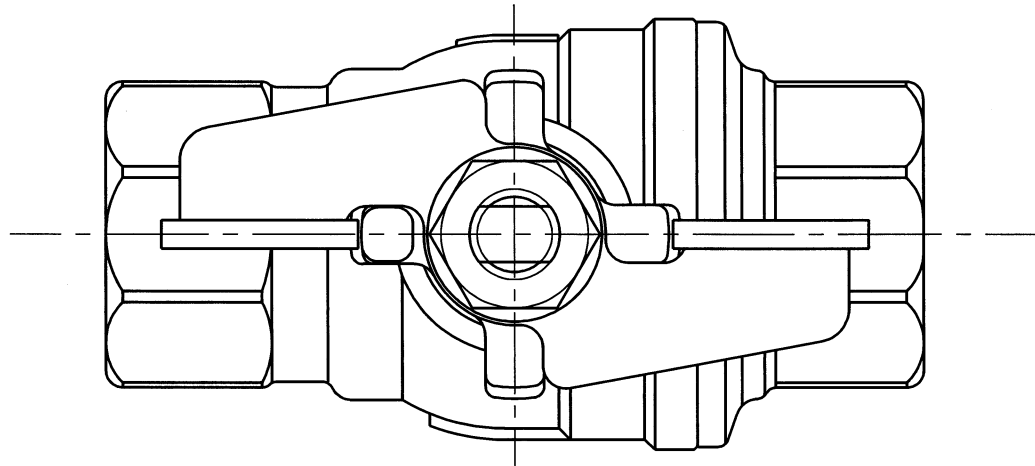


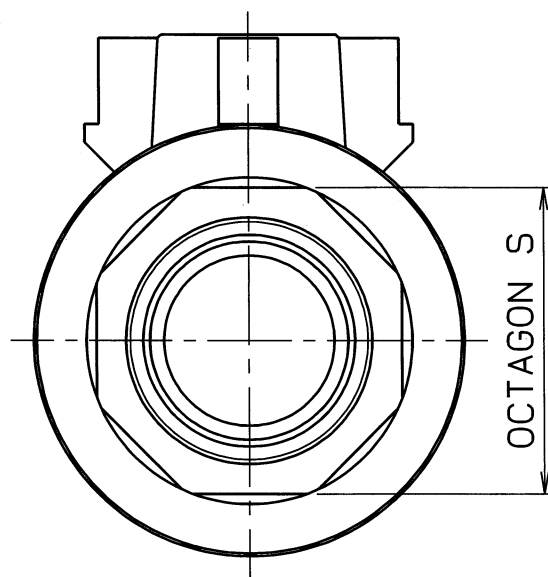
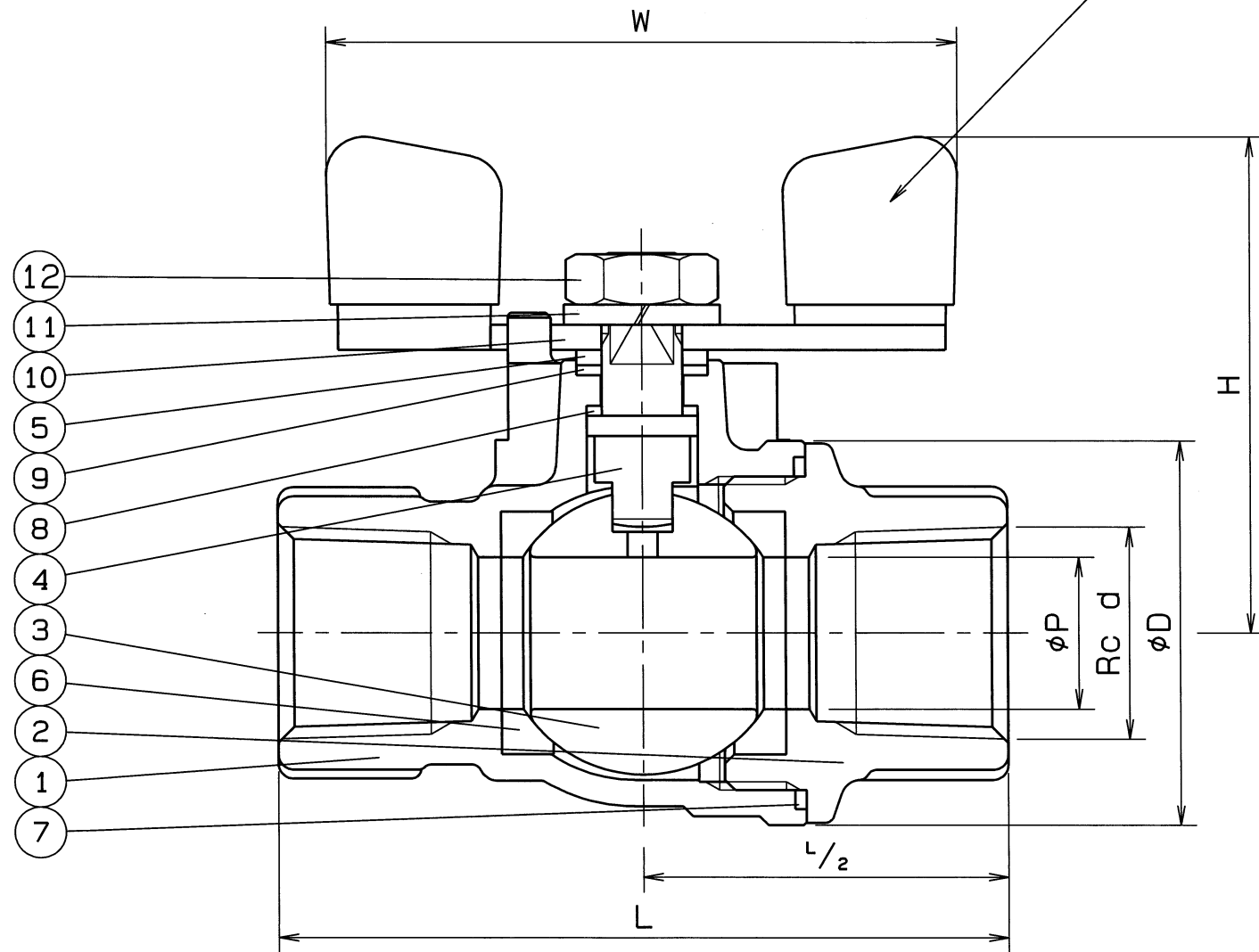
◇ 1660-SWAB 0997

SIZE	PIPE THREADS	P	L	H	W	D	S	Q, TY
	d							
1/4	Rc 1/4	8	55	45	60	27	18	



PVC COATING (RED)

SPEC.		TEST PRESS.	
FLUID		SHELL	HYDRO 8.24 MPa
PRESS.	MPa	SEAT	AIR 0.6 MPa
TEMP.	℃	AIR	MPa



PIPE THREADS CONFORM WITH "JIS B 0203"

12	HEXAGON NUT	1	SUS 304	
11	SPRING WASHER	1	SUS 304	
10	HANDLE	1	SUS 304	
9	THRUST BEARING	1	P.T.F.E.	CARBON FILLED
8	THRUST PACKING	1	P.T.F.E.	CARBON FILLED
7	GASKET PACKING	1	P.T.F.E.	
6	BALL SEAT	2	P.T.F.E.	
5	GLAND	1	SUS 304	
4	STEM	1	SUS 304	
3	BALL DISC	1	SCS 13	
2	BODY CAP	1	SCS 13	
1	BODY	1	SCS 13	

No.	NAME OF PARTS	Q.TY	MATERIALS	REMARKS
NAME 800 W.O.G. SCREWED ENDS MINI BALL VALVES FULL BORE				
TYPE N-620		SIZE	1/4 B	
DMG.No.	BAMS-0997 ◇	APPROVED BY	H. Ogura	
DATE	AUG.31.2017.	CHECKED BY	H. Ogura	
SCALE	:	DESIGNED BY	R. Matsuki	
THIRD ANGLE PROJECTION METHOD		DRAWN BY	Y. Katayama	

△		
△	材質変更	2021. 2. 1

**O. N. INDUSTRIES LTD.**