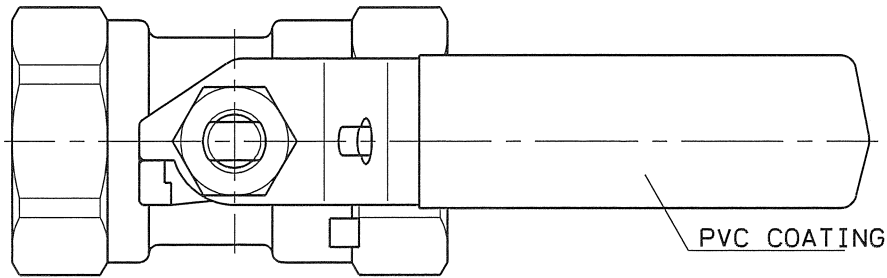
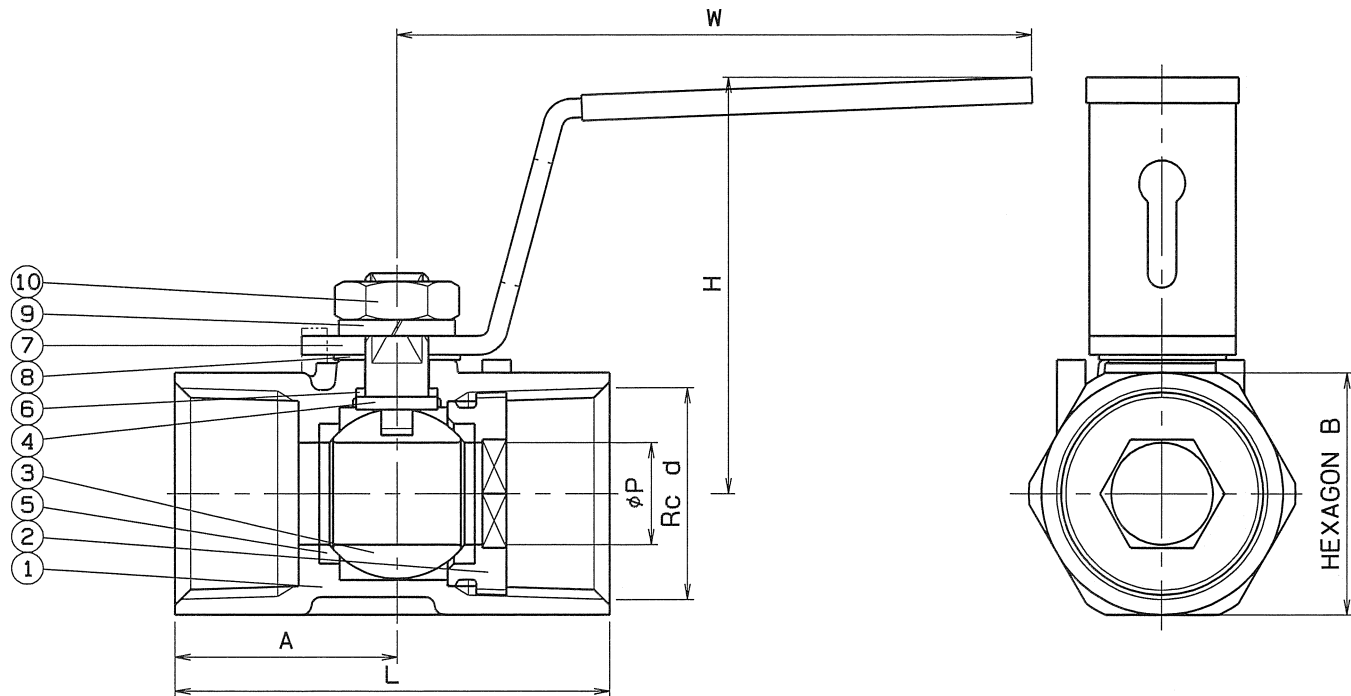


◇ I960-SWVB '04'000



SIZE	PIPE THREADS	P	L	H	W	A	B	Q, TY
	d							
1/4	Rc 1/4	5	40	36	60	19	17	
3/8	Rc 3/8	7	42.5	41	70	21	20.5	
1/2	Rc 1/2	9	54	50	85	26.5	25	
3/4	Rc 3/4	12.5	58	53	85	29.5	30.5	
1	Rc 1	16	68.5	65	100	35	38	
1 1/4	Rc 1 1/4	20	79	68	100	40	47	
1 1/2	Rc 1 1/2	24.5	86	83	125	43.5	53.5	
2	Rc 2	32	105	89	125	53	66	



SPEC.		TEST PRESS.	
FLUID		SHELL	8.24 MPa (84 kgf/cm <sup>2</sup> )
PRESS.	MPa ( kgf/cm <sup>2</sup> )	SEAT	0.6 MPa (6.1 kgf/cm <sup>2</sup> )
TEMP.	°C	AIR	MPa ( kgf/cm <sup>2</sup> )

PIPE THREADS CONFORM WITH 'JIS B 0203'  
No. 3 1 1/2, 2 B MATERIAL: SCS 13

No.	NAME OF PARTS	Q.TY	MATERIALS	REMARKS
10	HEXAGON NUT	1	SUS 304	
9	SPRING WASHER	1	SUS 304	
8	CONICAL WASHER	1	SUS 304	
7	HANDLE	1	SUS 304	
6	THRUST PACKING	1	P.T.F.E.	NO FILLED
5	BALL SEAT	2	P.T.F.E.	
4	STEM	1	SUS 304	
3	BALL DISC	1	SUS 304	
2	SEAT HOLDER	1	SCS 13	
1	BODY	1	SCS 13	

NAME	800 W.O.G. SCREWED ENDS MINI BALL VALVES REDUCED BORE		
TYPE	N-600A	SIZE	1/4 ~ 2 B
DWG.No.	BAMS-0951	APPROVED BY	H. Ozawa
DATE	APR. 8.2008	CHECKED BY	H. Ozawa
SCALE	:	DESIGNED BY	R. Matsuki
THIRD ANGLE PROJECTION METHOD		DRAWN BY	

△	ハンドルの材質変更	H30. 7. 25.
△	寸法表のスケール変更	H20. 9. 18.

**O. N. INDUSTRIES LTD.**