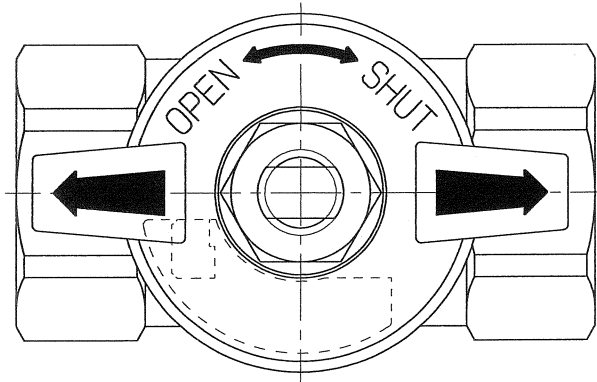
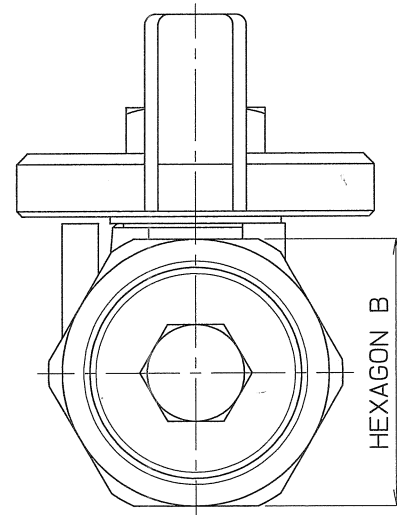
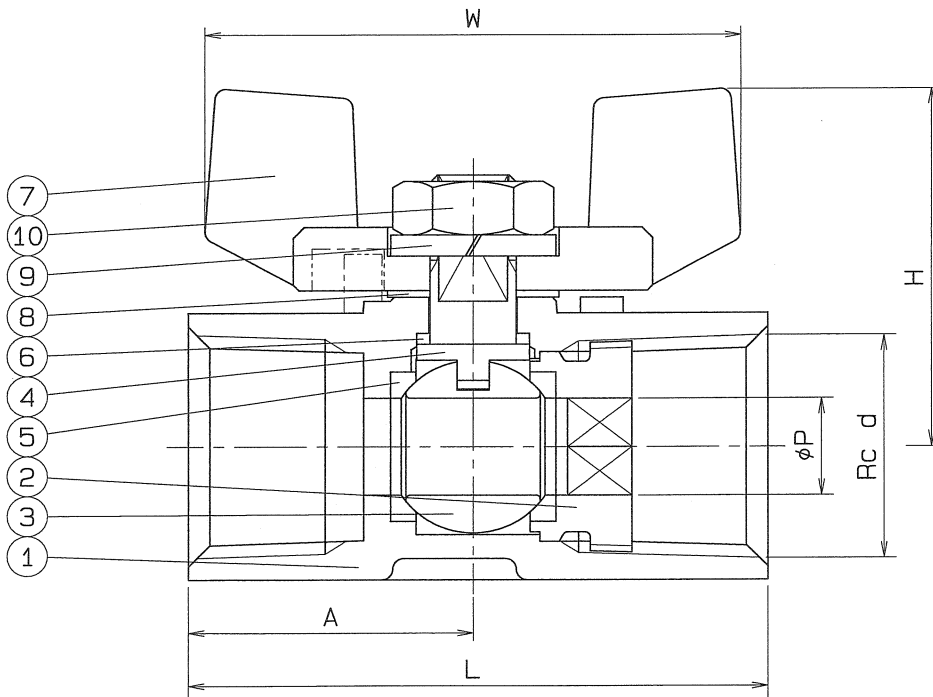


DMG No. BAMS-0950



| SIZE | PIPE THREADS | P <sub>△</sub> | L    | A    | H  | W  | B    | Q, TY |
|------|--------------|----------------|------|------|----|----|------|-------|
|      | d            |                |      |      |    |    |      |       |
| 1/4  | Rc 1/4       | 5              | 40   | 19   | 23 | 35 | 17   |       |
| 3/8  | Rc 3/8       | 7              | 42.5 | 21   | 27 | 40 | 20.5 |       |
| 1/2  | Rc 1/2       | 9              | 54   | 26.5 | 34 | 50 | 25   |       |
| 3/4  | Rc 3/4       | 12.5           | 58   | 29.5 | 37 | 50 | 30.5 |       |



| SPEC.  |                            | TEST PRESS. |  |
|--------|----------------------------|-------------|--|
| FLUID  |                            | SHELL       | HYDRO 8.24 MPa (84 kgf/cm <sup>2</sup> ) |
| PRESS. | MPa (kgf/cm <sup>2</sup> ) | SEAT        | AIR 0.6 MPa (6.1 kgf/cm <sup>2</sup> )   |
| TEMP.  | °C                         | AIR         | MPa (kgf/cm <sup>2</sup> )               |

PIPE THREADS CONFORM WITH 'JIS B 0203'

| No. | NAME OF PARTS  | Q.TY | MATERIALS | REMARKS   |
|-----|----------------|------|-----------|-----------|
| 10  | HEXAGON NUT    | 1    | SUS 304   |           |
| 9   | SPRING WASHER  | 1    | SUS 304   |           |
| 8   | CONICAL WASHER | 1    | SUS 304   |           |
| 7   | HANDLE         | 1    | PLASTIC   |           |
| 6   | THRUST PACKING | 1    | P.T.F.E.  | Mo FILLED |
| 5   | BALL SEAT      | 2    | P.T.F.E.  |           |
| 4   | STEM           | 1    | SUS 304   |           |
| 3   | BALL DISC      | 1    | SUS 304   |           |
| 2   | SEAT HOLDER    | 1    | SCS 13    |           |
| 1   | BODY           | 1    | SCS 13    |           |

|                               |   |             |               |
|-------------------------------|---|-------------|---------------|
| NAME                          | 800 W.O.G. SCREWED ENDS MINI BALL VALVES REDUCED BORE |             |               |
| TYPE                          | N-600A  | SIZE        | 1/4 ~ 3/4 B   |
| DMG.No.                       | BAMS-0950   | APPROVED BY | K. Tsumoto    |
| DATE                          | APR. 8.2008.  | CHECKED BY  | A. Kishida    |
| SCALE                         | :   | DESIGNED BY | -             |
| THIRD ANGLE PROJECTION METHOD |   | DRAWN BY    | K. Tohatakeba |

|   |            |            |
|---|------------|------------|
| △ | 寸法表のスケール変更 | H20. 9.18. |
| △ | 寸法記号訂正     | H20. 7.25. |

**O. N. INDUSTRIES LTD.**