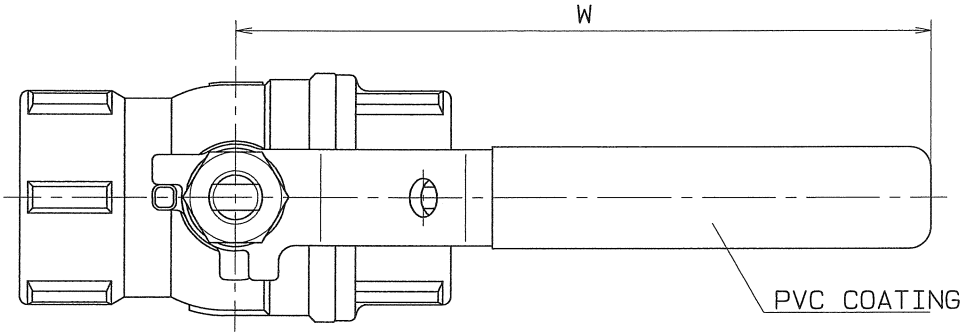


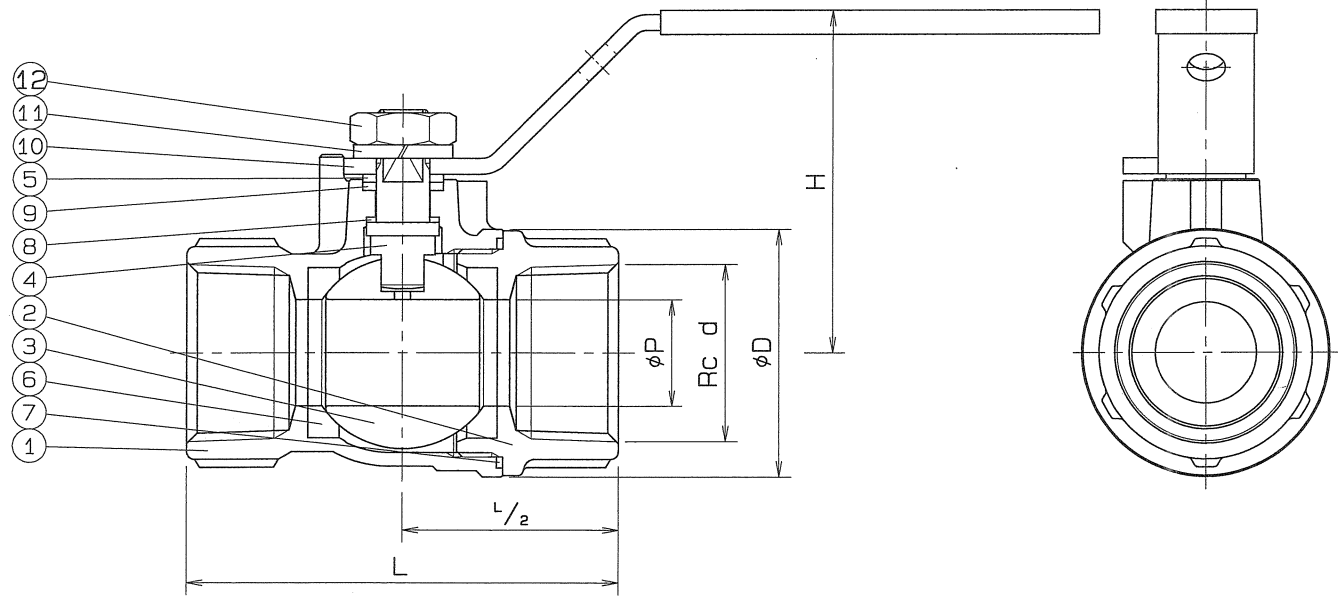
◇ Dwg. No. BAMS-0946

SIZE	PIPE THREADS		P	L	H	W	D	Q, TY
	d							
3/8	Rc	3/8	8	55	49	100	27	
1/2	Rc	1/2	10	60	50	100	30	
3/4	Rc	3/4	15	70	54	100	38	
1	Rc	1	20	80	64	130	46.5	
1 1/4	Rc	1 1/4	25	90	68	130	54	



SPEC.		TEST PRESS.	
FLUID		SHELL	HYDRO 8.24 MPa (84 kgf/cm <sup>2</sup> )
PRESS.	MPa (kgf/cm <sup>2</sup> )	SEAT	AIR 0.6 MPa (6.1 kgf/cm <sup>2</sup> )
TEMP.	°C	AIR	MPa (kgf/cm <sup>2</sup> )

PIPE THREADS CONFORM WITH 'JIS B 0203'  
 No.3 3/8, 1/2 B MATERIAL: SUS 304



No.	NAME OF PARTS	Q.TY	MATERIALS	REMARKS
12	HEXAGON NUT	1	SUS 304	
11	SPRING WASHER	1	SUS 304	
10	HANDLE	1	SUS 304	
9	THRUST BEARING	1	P.T.F.E.	CARBON FILLED
8	THRUST PACKING	1	P.T.F.E.	CARBON FILLED
7	GASKET PACKING	1	P.T.F.E.	
6	BALL SEAT	2	P.T.F.E.	
5	GLAND	1	SUS 304	
4	STEM	1	SUS 304	
3	BALL DISC	1	SCS 13A	
2	BODY CAP	1	SCS 13	
1	BODY	1	SCS 13	

NAME	800 W.O.G. SCREWED ENDS MINI BALL VALVES REGULAR BORE		
TYPE	N-610A	SIZE	3/8 ~ 1 1/4 B
DWG.No.	BAMS-0946 ◇	APPROVED BY	D. Tamoto
DATE	APR. 4.2008	CHECKED BY	K. Adachi
SCALE	:	DESIGNED BY	
THIRD ANGLE PROJECTION METHOD		DRAWN BY K. Takahashi	

寸法表のスケール変更 H20. 9. 18.

**O. N. INDUSTRIES LTD.**