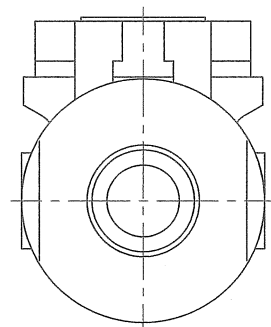
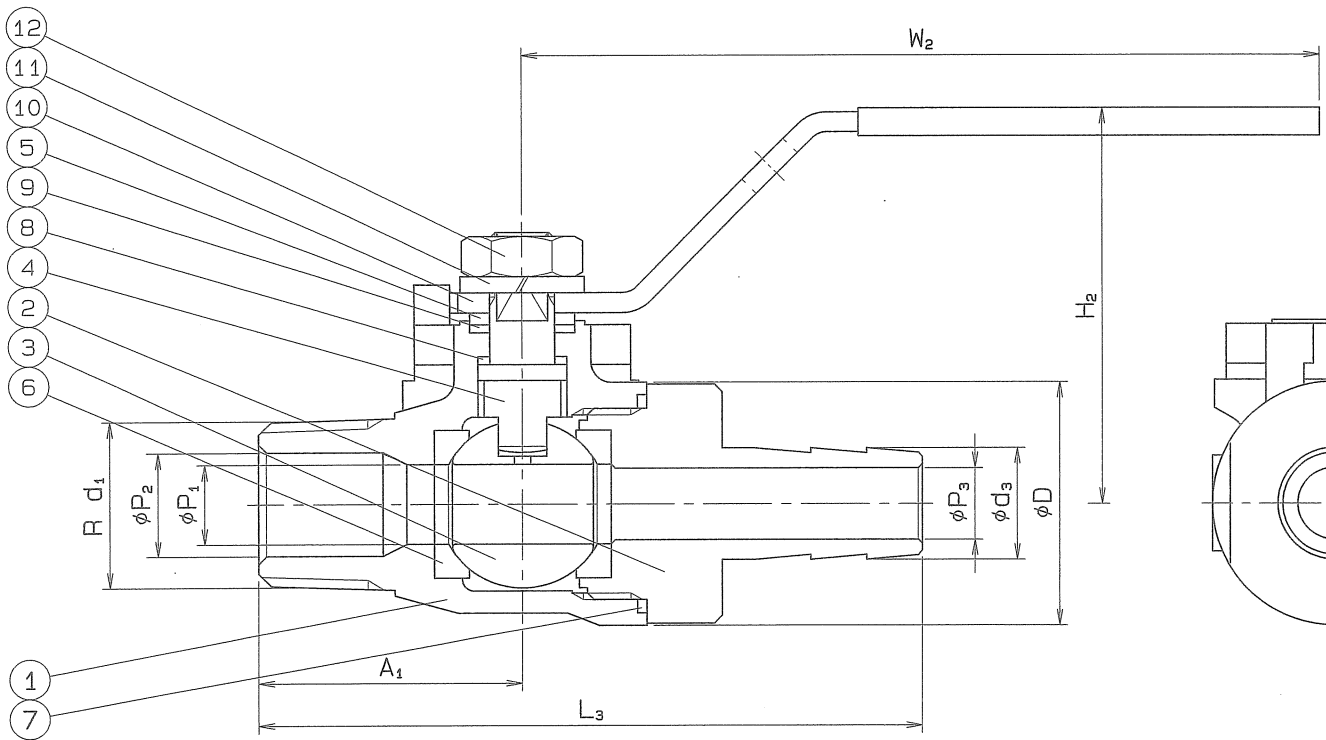
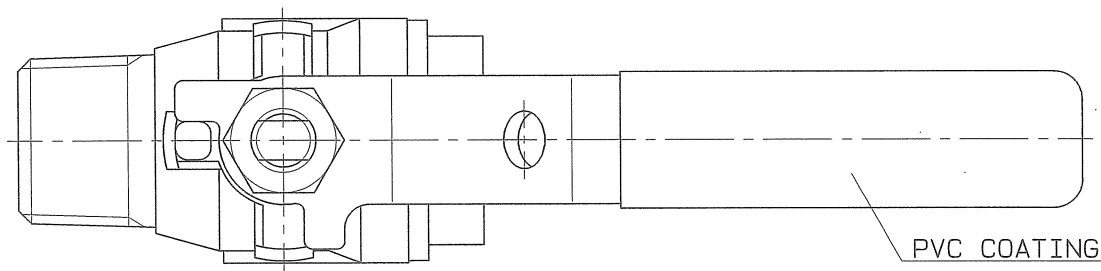


DWG No. BAMS-0938

SIZE	PIPE THREADS $d_1$	$P_1$	$P_2$	$P_3$	$L_3$	$H_2$	$W_2$	$A_1$	$d_3$	D	Q, TY
1/4	R 1/4	8	8	5	73.5	49	100	29	9	27	
3/8	R 3/8	8	8	6	74.5	49	100	29	11	27	
1/2	R 1/2	10	13	9	83	49	100	33	14	30.5	
3/4	R 3/4	15	18	13	95	53	100	35	20.5	38	
1	R 1	20	24	18	110	64	130	42.5	27	46.5	



SPEC.		TEST PRESS.	
FLUID		SHELL	HYDRO 8.24 MPa (84 kgf/cm <sup>2</sup> )
PRESS.	MPa ( kgf/cm <sup>2</sup> )	SEAT	AIR 0.6 MPa (6.1 kgf/cm <sup>2</sup> )
TEMP.	°C		AIR MPa ( kgf/cm <sup>2</sup> )

PIPE THREADS CONFORM WITH "JIS B 0203"  
No.3 3/4, 1B MATERIAL: SCS 13A

No.	NAME OF PARTS	Q.TY	MATERIALS	REMARKS
12	HEXAGON NUT	1	SUS 304	
11	SPRING WASHER	1	SUS 304	
10	HANDLE	1	SUS 304	
9	THRUST BEARING	1	P.T.F.E.	CARBON FILLED
8	THRUST PACKING	1	P.T.F.E.	CARBON FILLED
7	GASKET PACKING	1	P.T.F.E.	
6	BALL SEAT	2	P.T.F.E.	
5	GLAND	1	SUS 316	
4	STEM	1	SUS 316	
3	BALL DISC	1	SUS 304	
2	BODY CAP	1	SUS 304	
1	BODY	1	SCS 13	

NAME				800 W.O.G.	
TYPE				MINI BALL VALVES	
N-611M/H		SIZE		1/4 ~ 1 B	
DWG.No.	BAMS-0938	APPROVED BY	<i>K. Saito</i>		
DATE	AUG. 27. 2007	CHECKED BY	<i>A. Adachi</i>		
SCALE	:	DESIGNED BY	-		
THIRD ANGLE PROJECTION METHOD		DRAWN BY	<i>N. Takahashi</i>		

**O. N. INDUSTRIES LTD.**