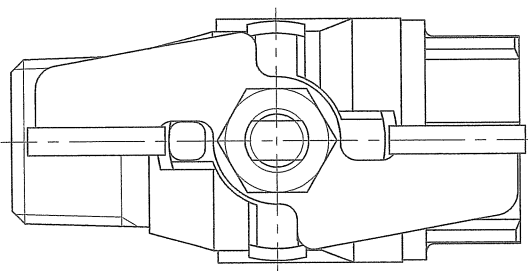
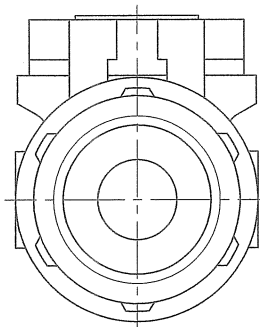
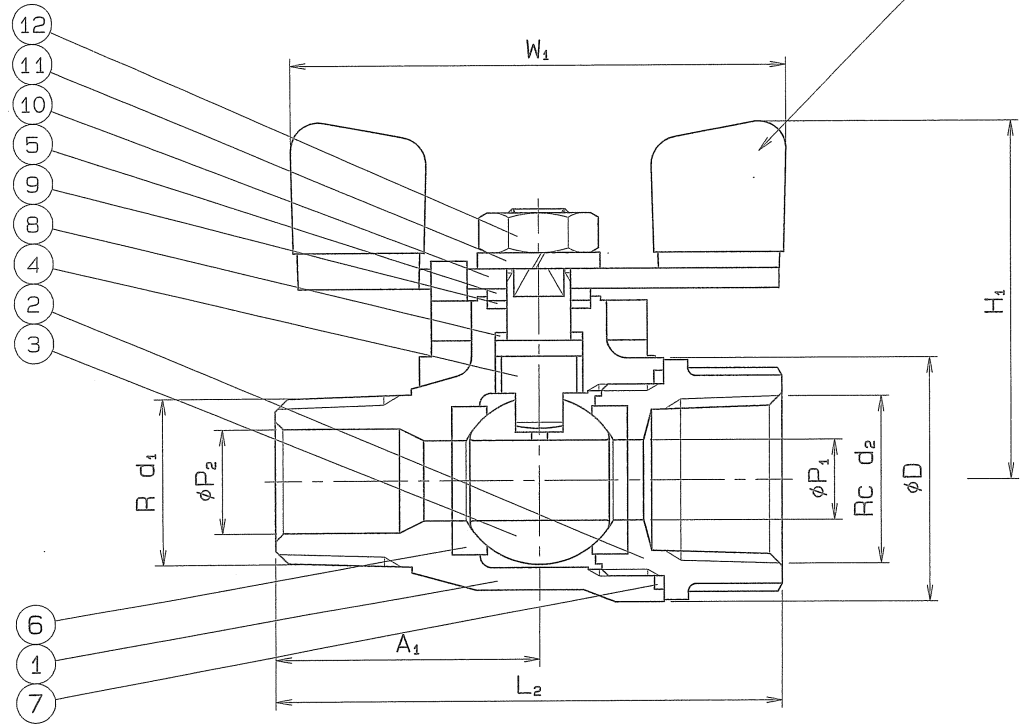


◇ ENG.No. BAMS-0937

SIZE	PIPE THREADS		P ₁	P ₂	L ₂	H ₁	W ₁	A ₁	D	Q, TY
	d ₁	d ₂								
1/2	R 1/2	Rc 1/2	10	13	63	45	60	33	30.5	
3/4	R 3/4	Rc 3/4	15	18	70	49	60	35	38	
1	R 1	RC 1	20	24	82.5	58	80	42.5	46.5	



PVC COATING



SPEC.		TEST PRESS.	
FLUID		SHELL	HYDR 8.24 MPa (84 kgf/cm ²)
PRESS.	MPa (kgf/cm ²)	SEAT	AIR 0.6 MPa (6.1 kgf/cm ²)
TEMP.	°C	AIR	MPa (kgf/cm ²)

PIPE THREADS CONFORM WITH 'JIS B 0203'

No.	NAME OF PARTS	Q.TY	MATERIALS	REMARKS
12	HEXAGON NUT	1	SUS 304	
11	SPRING WASHER	1	SUS 304	
10	HANDLE	1	SUS 304	
9	THRUST BEARING	1	P.T.F.E.	CARBON FILLED
8	THRUST PACKING	1	P.T.F.E.	CARBON FILLED
7	GASKET PACKING	1	P.T.F.E.	
6	BALL SEAT	2	P.T.F.E.	
5	GLAND	1	SUS 316	
4	STEM	1	SUS 316	
3	BALL DISC	1	SCS 13A	1/2: SUS 304
2	BODY CAP	1	SCS 13	
1	BODY	1	SCS 13	

800 W.O.G.			
NAME MINI BALL VALVES			
TYPE	N-611M/F	SIZE	1/2 ~ 1 B
ENG.No.	BAMS-0937 ◇	APPROVED BY	<i>R. Bennett</i>
DATE	AUG. 27 . 2007	CHECKED BY	<i>S. Adhikari</i>
SCALE	:	DESIGNED BY	-
THIRD ANGLE PROJECTION METHOD		DRAWN BY <i>N. Lakshmi</i>	

O. N. INDUSTRIES LTD.