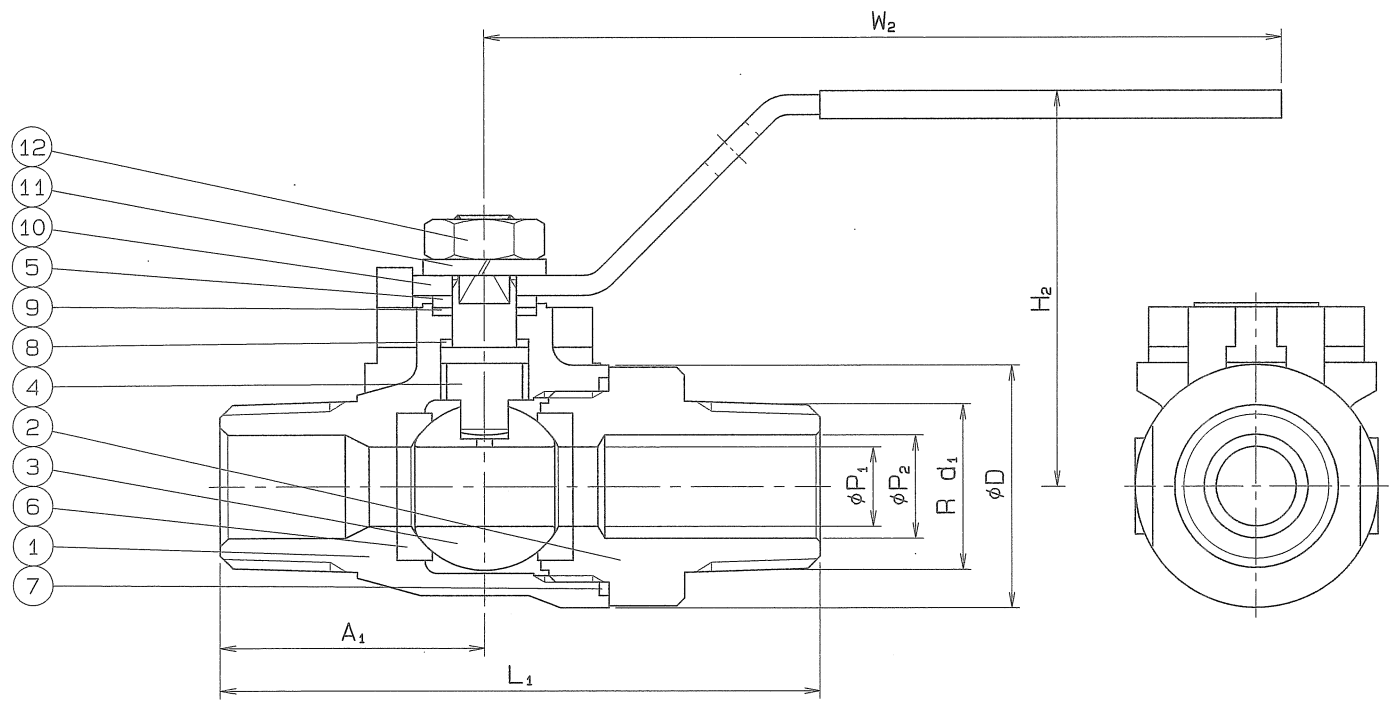
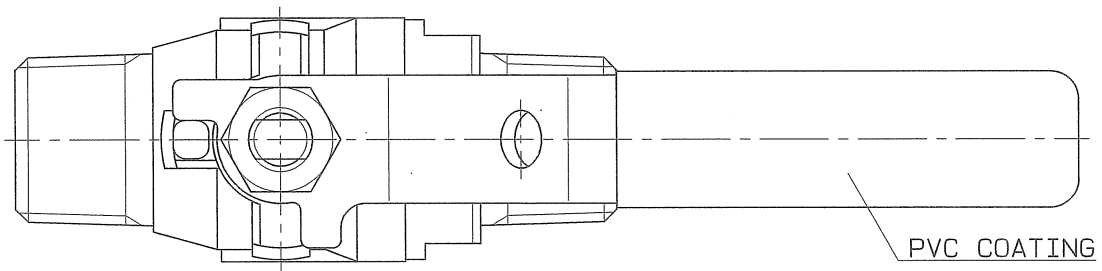


◇ 7934 BAMS-0934

SIZE	PIPE THREADS	P <sub>1</sub>	P <sub>2</sub>	L <sub>1</sub>	H <sub>2</sub>	W <sub>2</sub>	A <sub>1</sub>	D	Q, TY
	d <sub>1</sub>								
1/4	R 1/4	8	8	65.5	49	100	29	27	
3/8	R 3/8	8	8	65.5	49	100	29	27	
1/2	R 1/2	10	13	75	49	100	33	30.5	
3/4	R 3/4	15	18	81	53	100	35	38	
1	R 1	20	24	96.5	64	130	42.5	46.5	



SPEC.		TEST PRESS.	
FLUID		SHELL	H <sub>2</sub> O 8.24 MPa (84 kgf/cm <sup>2</sup> )
PRESS.	MPa ( kgf/cm <sup>2</sup> )	SEAT	AIR 0.6 MPa (6.1 kgf/cm <sup>2</sup> )
TEMP.	°C	AIR	MPa ( kgf/cm <sup>2</sup> )

PIPE THREADS CONFORM WITH "JIS B 0203"  
No.3 3/4, 1B MATERIAL : SCS 13A

No.	NAME OF PARTS	Q.TY	MATERIALS	REMARKS
12	HEXAGON NUT	1	SUS 304	
11	SPRING WASHER	1	SUS 304	
10	HANDLE	1	SUS 304	
9	THRUST BEARING	1	P.T.F.E.	CARBON FILLED
8	THRUST PACKING	1	P.T.F.E.	CARBON FILLED
7	GASKET PACKING	1	P.T.F.E.	
6	BALL SEAT	2	P.T.F.E.	
5	GLAND	1	SUS 316	
4	STEM	1	SUS 316	
3	BALL DISC	1	SUS 304	
2	BODY CAP	1	SUS 304	
1	BODY	1	SCS 13	

NAME 800 W.O.G. MINI BALL VALVES			
TYPE N-611M/M	SIZE 1/4 ~ 1 B		
DWG.No. BAMS-0934 ◇	APPROVED BY <i>K. Kunita</i>		
DATE AUG.27.2007	CHECKED BY <i>K. Adachi</i>		
SCALE :	DESIGNED BY		
THIRD ANGLE PROJECTION METHOD		DRAWN BY <i>K. Tsubota</i>	

**O. N. INDUSTRIES LTD.**