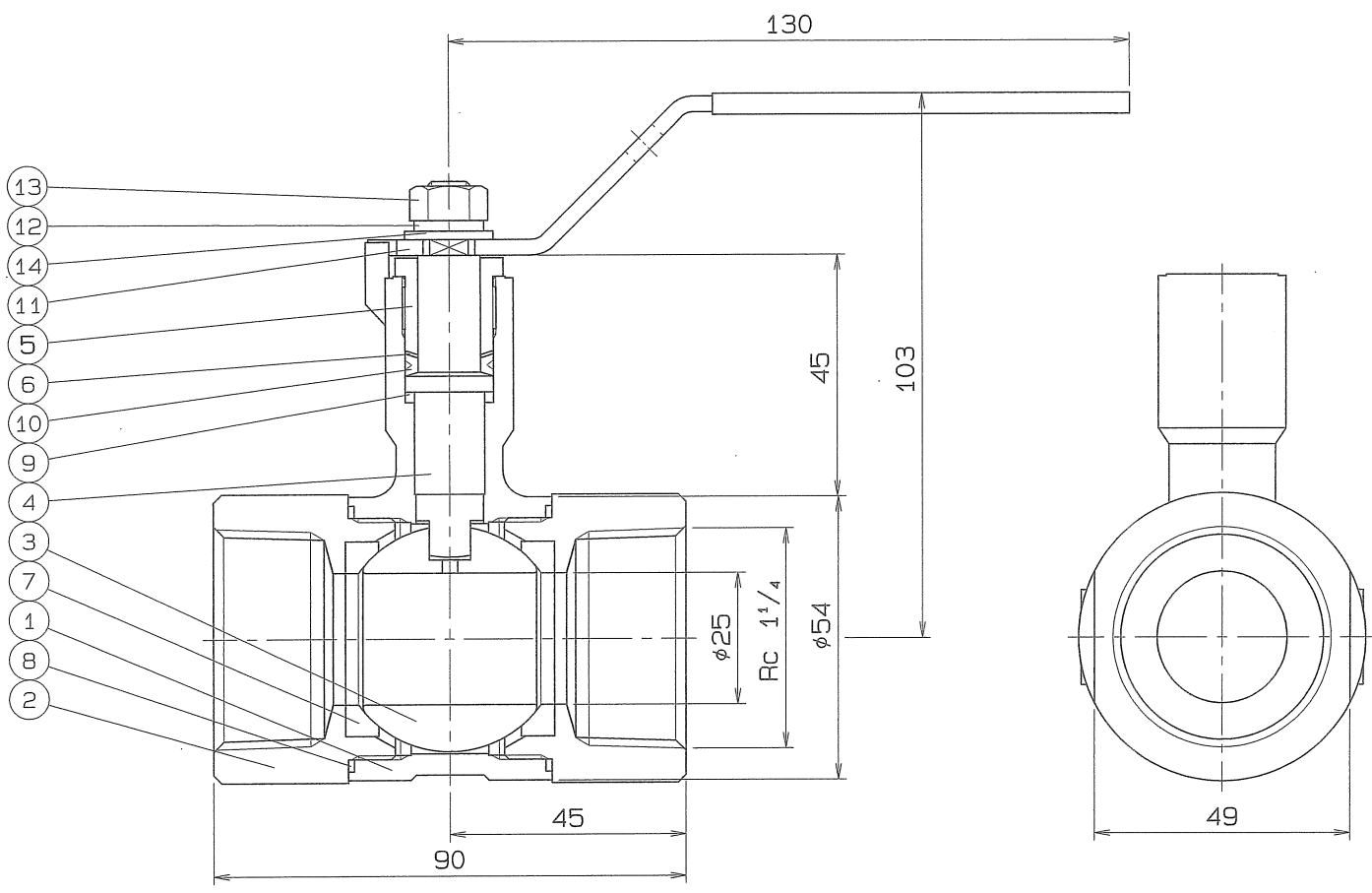
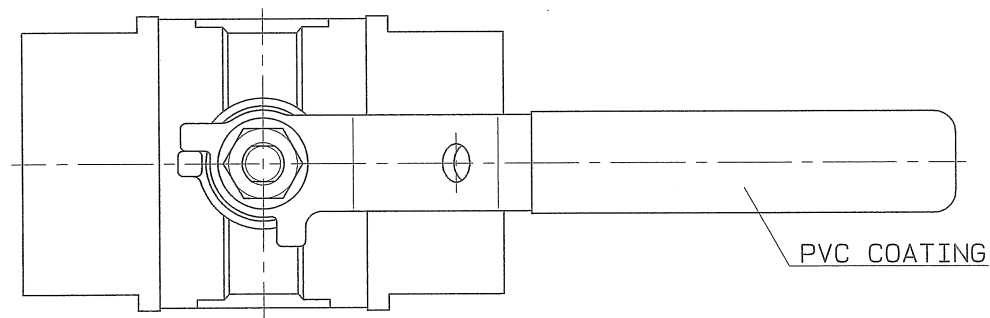


1 2 3 4 5 6 7 8

◇ Dwg. No. BAMS-0932

Q. TY: _____



SPEC.		TEST PRESS.	
FLUID		SHELL	8.24 MPa (84 kgf/cm ²)
PRESS.	MPa (kgf/cm ²)	SEAT	0.6 MPa (6.1 kgf/cm ²)
TEMP.	°C	AIR	MPa (kgf/cm ²)

PIPE THREADS CONFORM WITH "JIS B 0203"

No.	NAME OF PARTS	Q. TY	MATERIALS	REMARKS
14	PLAIN WASHER	1	SUS 304	
13	HEXAGON NUT	1	SUS 304	
12	SPRING WASHER	1	SUS 304	
11	HANDLE	1	SUS 304	
10	GLAND PACKING	1	P. T. F. E.	
9	BEARING	1	P. T. F. E.	CARBON FILLED
8	GASKET PACKING	2	P. T. F. E.	
7	BALL SEAT	2	P. T. F. E.	
6	WASHER	1	SUS 316	
5	GLAND BUSHING	1	SCS 13	
4	STEM	1	SUS 304	
3	BALL DISC	1	SCS 13A	
2	BODY CAP	2	SCS 13	
1	BODY	1	SCS 13	

NAME	800 W.O.G. SCREWED ENDS REGULAR BORE LONG NECK TYPE MINI BALL VALVE			
TYPE	N-200	SIZE	1 1/4 B	
DWG. No.	BAMS-0932 ◇	APPROVED BY	<i>[Signature]</i>	
DATE	AUG. 27. 2007	CHECKED BY	<i>[Signature]</i>	
SCALE	:	DESIGNED BY		
THIRD ANGLE PROJECTION METHOD		DRAWN BY	<i>[Signature]</i>	

O. N. INDUSTRIES LTD.

△		
△		
△		