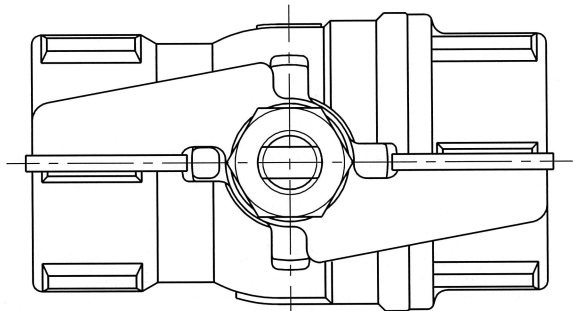
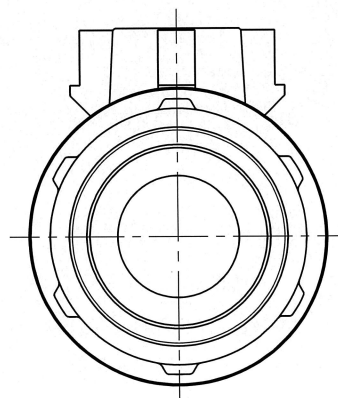
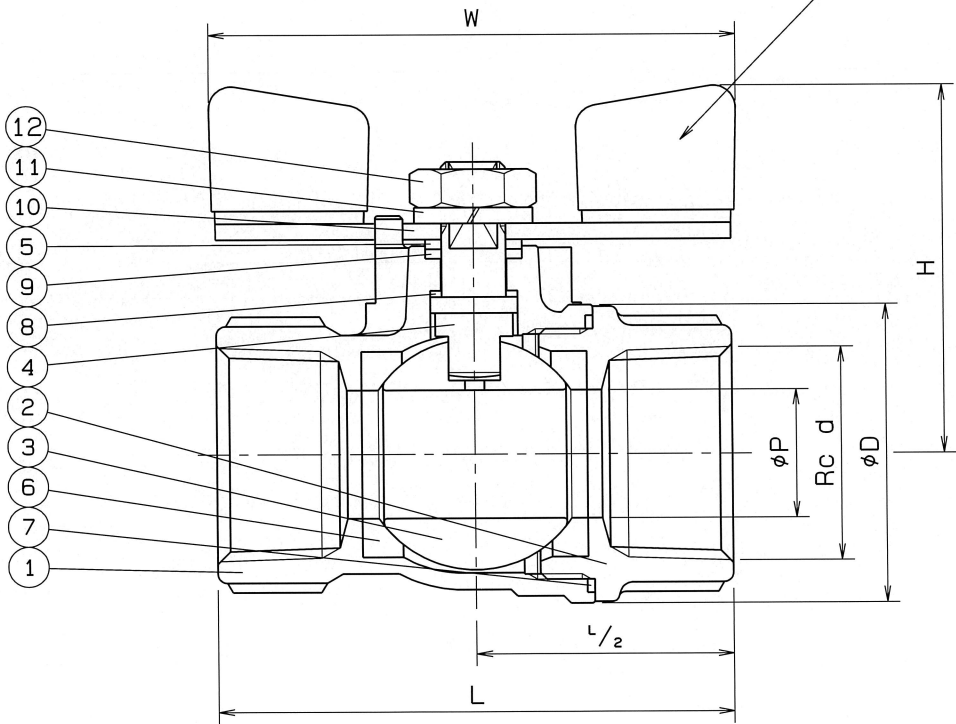


◇ 9260-SWAB BAMS-0925 O.N. IND.

SIZE	PIPE THREADS	P	L	H	W	D	Q, TY
	d						
3/8	Rc 3/8	8	55	45	60	27	
1/2	Rc 1/2	10	60	46	60	30	
3/4	Rc 3/4	15	70	50	60	38	
1	Rc 1	20	80	58	80	46.5	



PVC COATING



SPEC.		TEST PRESS.	
FLUID		SHELL	HYDRO 8.24 MPa
PRESS.	MPa	SEAT	AIR 0.6 MPa
TEMP.	℃	AIR	MPa

PIPE THREADS CONFORM WITH "JIS B 0203"
No.3 3/8, 1/2B MATERIALS : SUS 304

No.	NAME OF PARTS	Q. TY	MATERIALS	REMARKS
12	HEXAGON NUT	1	SUS 304	
11	SPRING WASHER	1	SUS 304	
10	HANDLE	1	SUS 304	
9	THRUST BEARING	1	P. T. F. E.	CARBON FILLED
8	THRUST PACKING	1	P. T. F. E.	CARBON FILLED
7	GASKET PACKING	1	P. T. F. E.	
6	BALL SEAT	2	P. T. F. E.	
5	GLAND	1	SUS 304	
4	STEM	1	SUS 304	
3	BALL DISC	1	SCS 13A	
2	BODY CAP	1	SCS 13	
1	BODY	1	SCS 13	

No.	NAME OF PARTS	Q. TY	MATERIALS	REMARKS
NAME 800 W. O. G. SCREWED ENDS				
MINI BALL VALVES REGULAR BORE				
TYPE	N-610	SIZE	3/8 ~ 1 B	
DMG.No.	BAMS-0925 ◇	APPROVED BY	H. Ogawa	
DATE	APR. 12. 2007	CHECKED BY	H. Ogawa	
SCALE	:	DESIGNED BY	R. Matsuki	
THIRD ANGLE PROJECTION METHOD		DRAWN BY Y. Kotayama		

△		
△		
△	材質変更	2021. 2. 1

O. N. INDUSTRIES LTD.