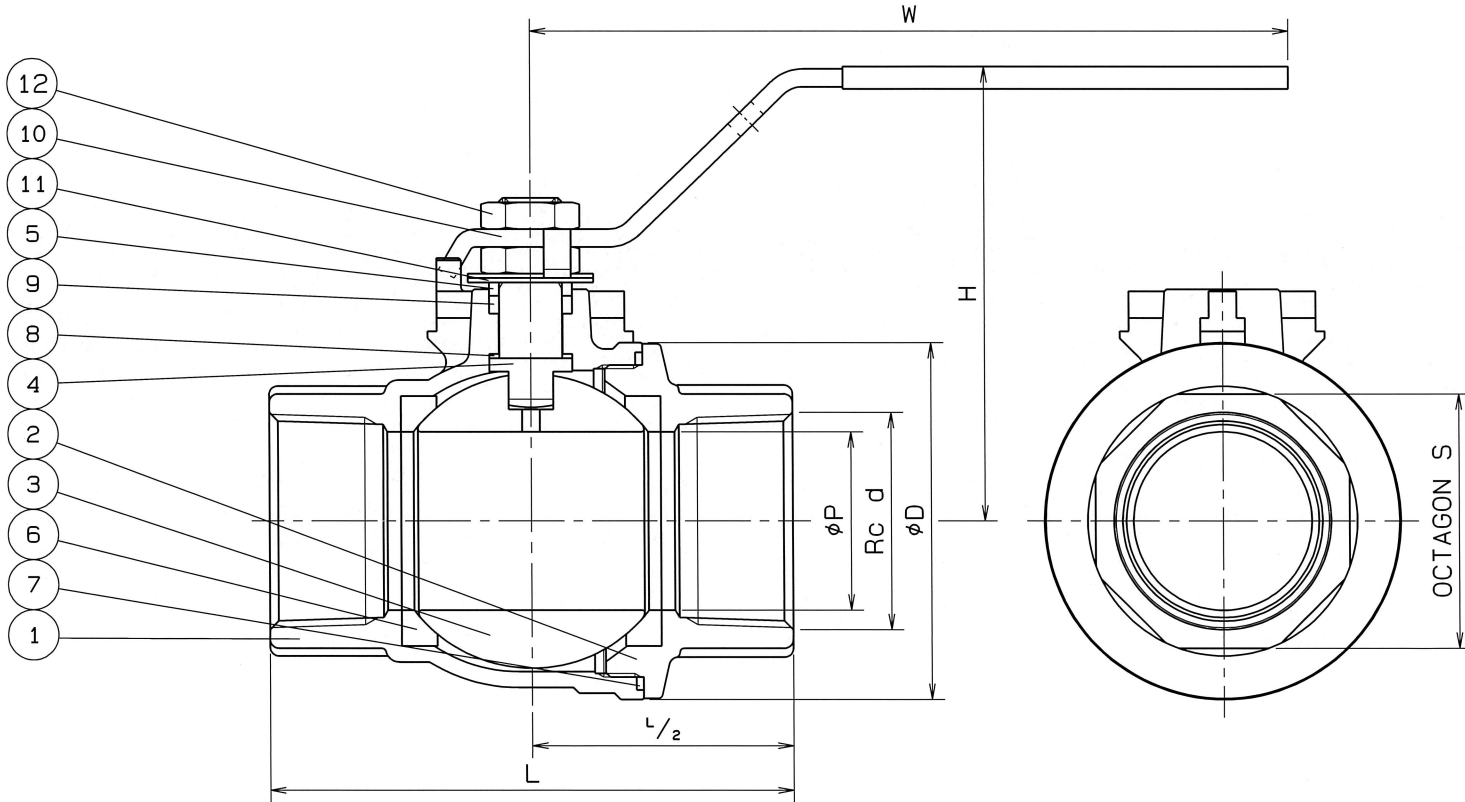
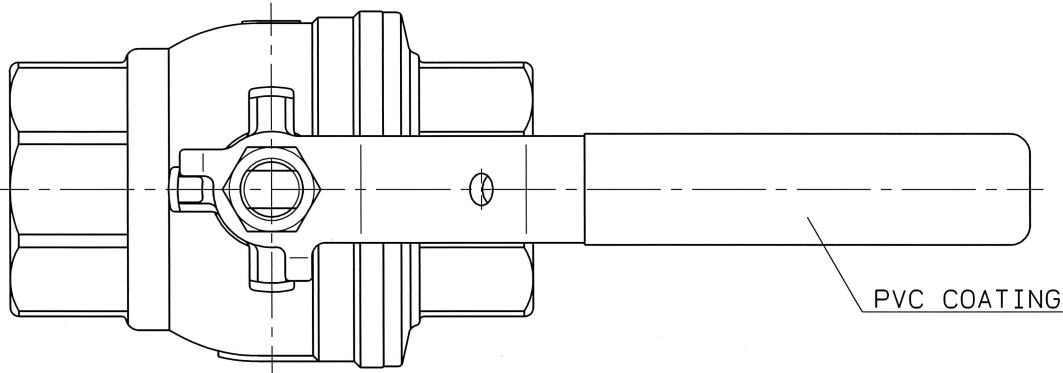


◇ 2260-9222 BAMS-0922 ON OMI

SIZE	PIPE THREADS	P	L	H	W	D	S	Q, TY
	d							
1 1/4	Rc 1 1/4	32	107	96	170	67	50	
1 1/2	Rc 1 1/2	40	117	102	170	80	57	



SPEC.		TEST PRESS.	
FLUID		SHELL	HYDRO 8.24 MPa
PRESS.	MPa	SEAT	AIR 0.6 MPa
TEMP.	°C	AIR	MPa

PIPE THREADS CONFORM WITH "JIS B 0203"

No.	NAME OF PARTS	Q. TY	MATERIALS	REMARKS
12	HEXAGON NUT	2	SUS 304	
11	CONICAL WASHER	2	SUS 304	
10	HANDLE	1	SUS 304	
9	GLAND PACKING	1	P.T.F.E.	
8	THRUST PACKING	1	P.T.F.E.	CARBON FILLED
7	GASKET PACKING	1	P.T.F.E.	
6	BALL SEAT	2	P.T.F.E.	
5	GLAND	1	SUS 304	
4	STEM	1	SUS 304	
3	BALL DISC	1	SCS 13A	
2	BODY CAP	1	SCS 13	
1	BODY	1	SCS 13	

No.	NAME OF PARTS	Q. TY	MATERIALS	REMARKS
NAME 800 W.O.G. SCREWED ENDS MINI BALL VALVES FULL BORE				
TYPE		N-620 SIZE 1 1/4, 1 1/2 B		
DWG.No.		BAMS-0922 ◇ APPROVED BY H. Ogura		
DATE		APR. 12. 2007. CHECKED BY H. Ogura		
SCALE		DESIGNED BY R. Matsuki		
THIRD ANGLE PROJECTION METHOD		DRAWN BY Y. Katayama		

△		
△	材質変更	2021. 2. 1

O. N. INDUSTRIES LTD.