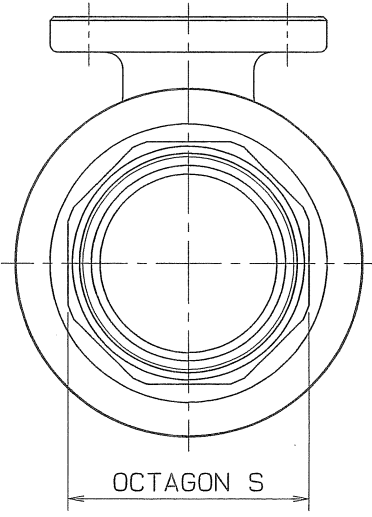
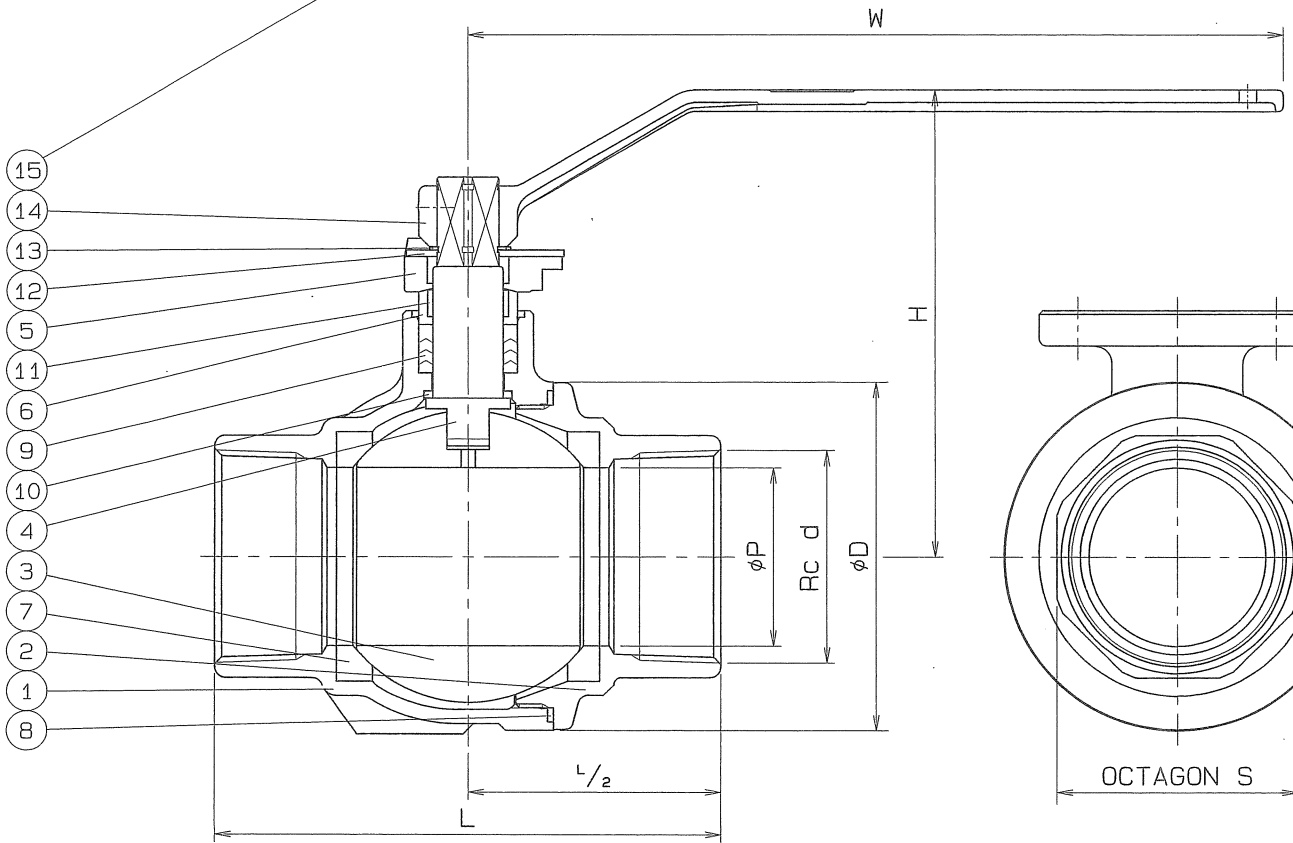
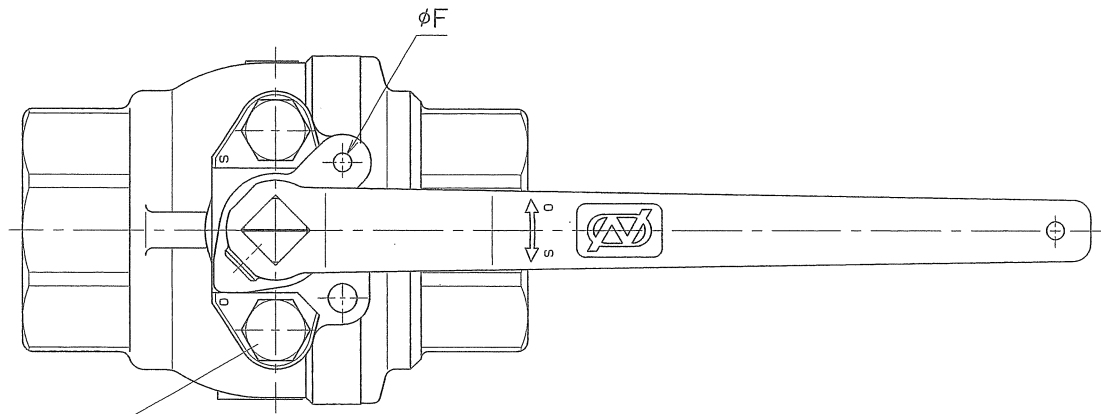


◇ 9160-SWMS-0916 | ENG. No.

SIZE	PIPE THREADS	P	L	H	W	D	S	F	Q, TY
2	Rc 2	50	142	131	230	98	68	5.1	
2 1/2	Rc 2 1/2	65	165	141	230	119	85	5.1	



SPEC.		TEST PRESS.	
FLUID		SHELL	HYDRO 2.1 MPa (21.4kgf/cm ²)
PRESS.	MPa (kgf/cm ²)	SEAT	AIR 0.6 MPa (6.1 kgf/cm ²)
TEMP.	°C	AIR	MPa (kgf/cm ²)

PIPE THREADS CONFORM WITH 'JIS B 0203'

No.	NAME OF PARTS	Q. TY	MATERIALS	REMARKS
15	GLAND BOLT	2	SUS 304	
14	HANDLE	1	SCS 13	
13	STOP RING	1	SUS 304	
12	STOPPER	1	SUS 304	
11	STEM BEARING	1	P.T.F.E.	GLASS FILLED
10	THRUST BEARING	1	P.T.F.E.	GLASS FILLED
9	GLAND PACKING	1SET	P.T.F.E.	
8	GASKET PACKING	1	P.T.F.E.	
7	BALL SEAT	2	P.T.F.E.	
6	GLAND SLEEVE	1	SUS 316	
5	GLAND	1	SCS 13	
4	STEM	1	SUS 304	
3	BALL DISC	1	SCS 13A	
2	BODY CAP	1	SCS 13A	
1	BODY	1	SCS 13A	

No.	NAME OF PARTS	Q. TY	MATERIALS	REMARKS
NAME 400 W.O.G. SCREWED ENDS MINI BALL VALVES FULL BORE				
TYPE	N-620	SIZE	2, 2 1/2 B	
ENG. No.	BAMS-0916 ◇	APPROVED BY	K. Yamate	
DATE	APR. 12. 2007.	CHECKED BY	H. Kishida	
SCALE	:	DESIGNED BY	—	
THIRD ANGLE PROJECTION METHOD		DRAWN BY	N. Taketaka	

O. N. INDUSTRIES LTD.

③		
②		
①		