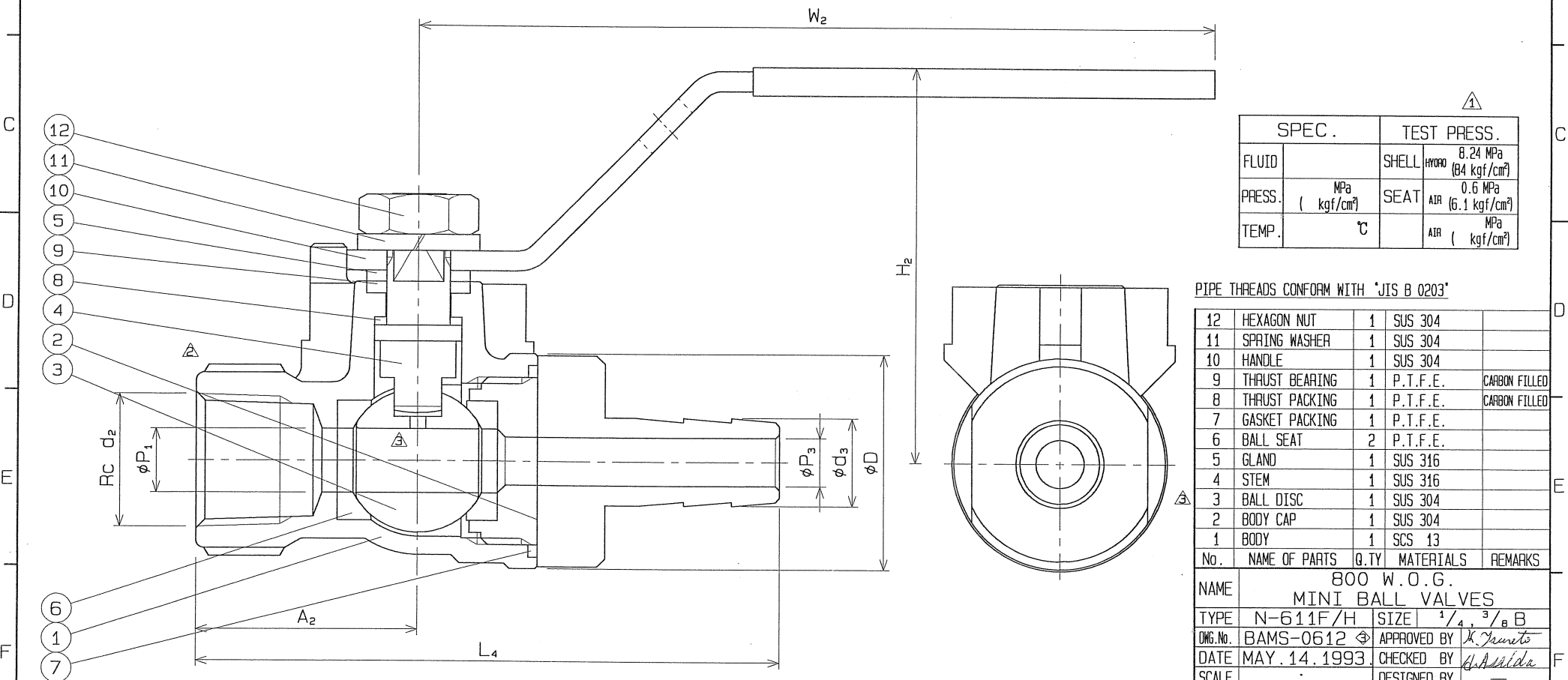
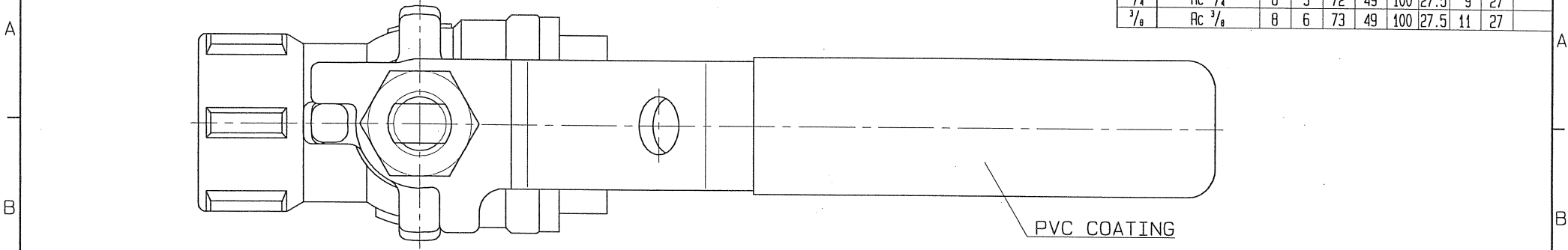


SIZE	PIPE THREADS		P ₁	P ₃	L ₄	H ₂	W ₂	A ₂	d ₃	D	Q, TY
	d ₂										
1/4	Rc 1/4		8	5	72	49	100	27.5	9	27	
3/8	Rc 3/8		8	6	73	49	100	27.5	11	27	



SPEC.		TEST PRESS.	
FLUID		SHELL	HYDRO 8.24 MPa (84 kgf/cm ²)
PRESS.	MPa (kgf/cm ²)	SEAT	AIR 0.6 MPa (6.1 kgf/cm ²)
TEMP.	℃	AIR	MPa (kgf/cm ²)

PIPE THREADS CONFORM WITH 'JIS B 0203'

No.	NAME OF PARTS	Q.TY	MATERIALS	REMARKS
12	HEXAGON NUT	1	SUS 304	
11	SPRING WASHER	1	SUS 304	
10	HANDLE	1	SUS 304	
9	THRUST BEARING	1	P.T.F.E.	CARBON FILLED
8	THRUST PACKING	1	P.T.F.E.	CARBON FILLED
7	GASKET PACKING	1	P.T.F.E.	
6	BALL SEAT	2	P.T.F.E.	
5	GLAND	1	SUS 316	
4	STEM	1	SUS 316	
3	BALL DISC	1	SUS 304	
2	BODY CAP	1	SUS 304	
1	BODY	1	SCS 13	

NAME	800 W.O.G. MINI BALL VALVES		
TYPE	N-611F/H	SIZE	1/4, 3/8 B
DWG. No.	BAMS-0612 ◇	APPROVED BY	K. Yurito
DATE	MAY. 14. 1993	CHECKED BY	G. Asaida
SCALE	:	DESIGNED BY	—
THIRD ANGLE PROJECTION METHOD	DRAWN BY K. Tokun		

△	リリースホルルの追加	'03.10.21.
△	ボデー変更	'03.7.4.
△	ST単位に変更	'99.5.27.