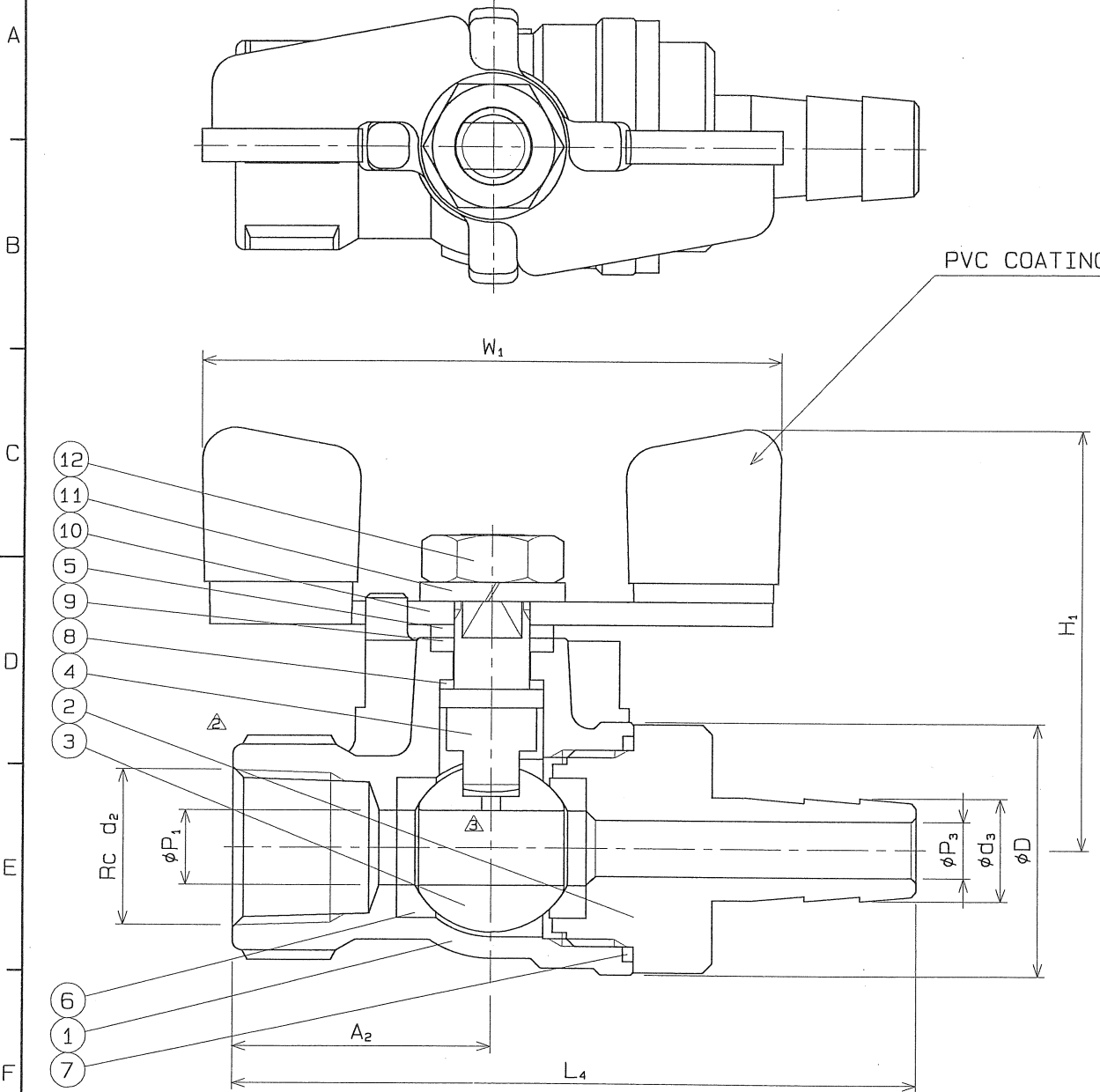


9090-SWAB BAMS-0606

SIZE	PIPE THREADS		P ₁	P ₃	L ₄	H ₁	W ₁	A ₂	d ₃	D	Q, TY
	d ₂										
1/4	Rc 1/4		8	5	72	45	60	27.5	9	27	
3/8	Rc 3/8		8	6	73	45	60	27.5	11	27	



SPEC.		TEST PRESS.	
FLUID		SHELL	Hydro 8.24 MPa (84 kgf/cm ²)
PRESS.	MPa (kgf/cm ²)	SEAT	AIR 0.6 MPa (6.1 kgf/cm ²)
TEMP.	°C	AIR	MPa (kgf/cm ²)

PIPE THREADS CONFORM WITH 'JIS B 0203'

No.	NAME OF PARTS	Q.TY	MATERIALS	REMARKS
12	HEXAGON NUT	1	SUS 304	
11	SPRING WASHER	1	SUS 304	
10	HANDLE	1	SUS 304	
9	THRUST BEARING	1	P.T.F.E.	CARBON FILLED
8	THRUST PACKING	1	P.T.F.E.	CARBON FILLED
7	GASKET PACKING	1	P.T.F.E.	
6	BALL SEAT	2	P.T.F.E.	
5	GLAND	1	SUS 316	
4	STEM	1	SUS 316	
3	BALL DISC	1	SUS 304	
2	BODY CAP	1	SUS 304	
1	BODY	1	SCS 13	

NAME	800 W.O.G. MINI BALL VALVES		
TYPE	N-611F/H	SIZE	1/4, 3/8 B
DRG.No.	BAMS-0606	APPROVED BY	X. Jambert
DATE	MAY. 13. 1993	CHECKED BY	H. Ashida
SCALE	:	DESIGNED BY	
THIRD ANGLE PROJECTION METHOD	DRAWN	BY	X. Takemura

△	リリーフホールの追加	'03.10.21.
△	ボデー変更	'03. 7. 4.
△	SI単位に変更	'99. 5.27.

O. N. INDUSTRIES LTD.