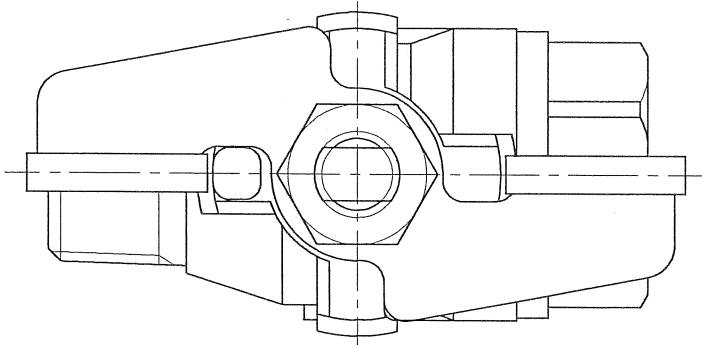
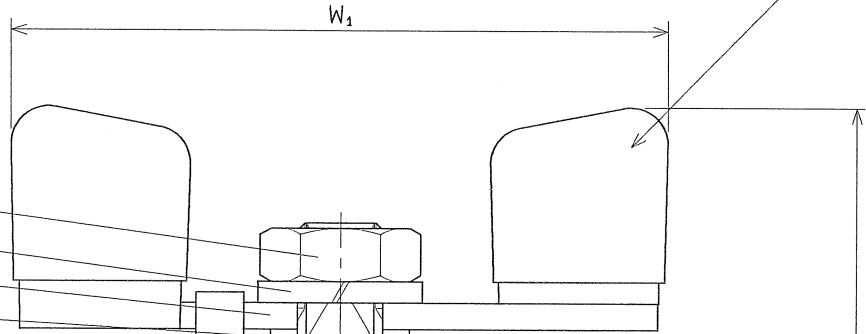


ENG. NO. BAMS-0603

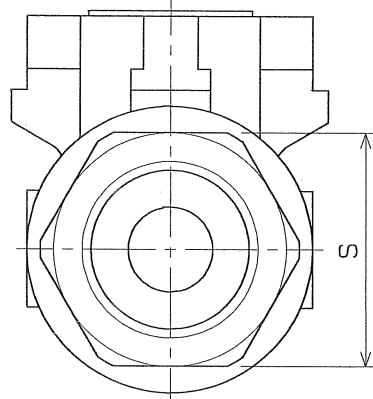
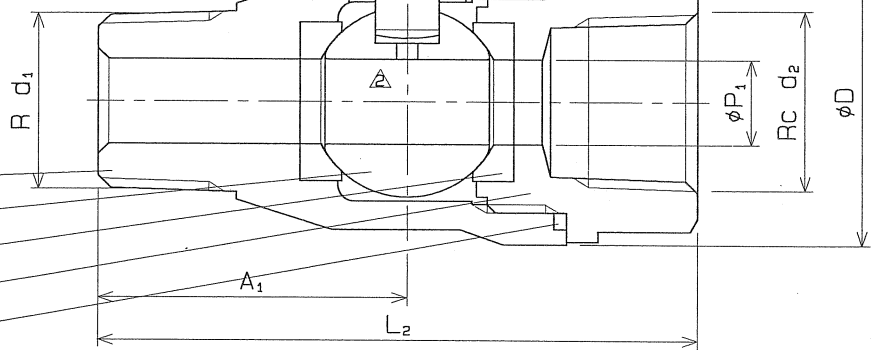
SIZE	PIPE THREADS		P ₁	L ₂	H ₁	W ₁	A ₁	D	S	Q, TY
	d ₁	d ₂								
1/4	R 1/4	RC 1/4	8	56.5	45	60	29	27	22	
3/8	R 3/8	RC 3/8	8	56.5	45	60	29	27	22	



PVC COATING



- 12
- 11
- 10
- 5
- 9
- 8
- 4



SPEC.		TEST PRESS.	
FLUID		SHELL	8.24 MPa (84 kgf/cm ²)
PRESS.	MPa (kgf/cm ²)	SEAT	0.6 MPa (6.1 kgf/cm ²)
TEMP.	°C	AIR	MPa (kgf/cm ²)

PIPE THREADS CONFORM WITH "JIS B 0203"

No.	NAME OF PARTS	Q. TY	MATERIALS	REMARKS
12	HEXAGON NUT	1	SUS 304	
11	SPRING WASHER	1	SUS 304	
10	HANDLE	1	SUS 304	
9	THRUST BEARING	1	P.T.F.E.	CARBON FILLED
8	THRUST PACKING	1	P.T.F.E.	CARBON FILLED
7	GASKET PACKING	1	P.T.F.E.	
6	BALL SEAT	2	P.T.F.E.	
5	GLAND	1	SUS 316	
4	STEM	1	SUS 316	
3	BALL DISC	1	SUS 304	
2	BODY CAP	1	SCS 13	
1	BODY	1	SCS 13	

NAME 800 W.O.G. MINI BALL VALVES			
TYPE	N-611M/F	SIZE	1/4, 3/8 B
DWG. No.	BAMS-0603	APPROVED BY	X. Tsuruta
DATE	MAY. 13. 1993	CHECKED BY	Asakida
SCALE	:	DESIGNED BY	
THIRD ANGLE PROJECTION METHOD		DRAWN BY	X. Tsuruta

△	リリーブホールの追加	'03.10.21.
△	ST単位に変更	'99. 5.27.

O. N. INDUSTRIES LTD.