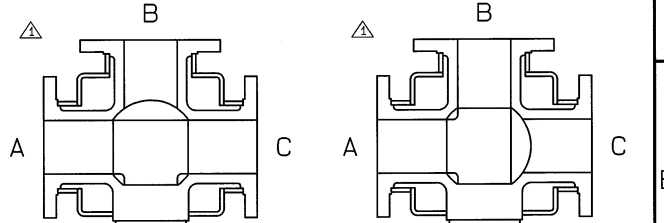
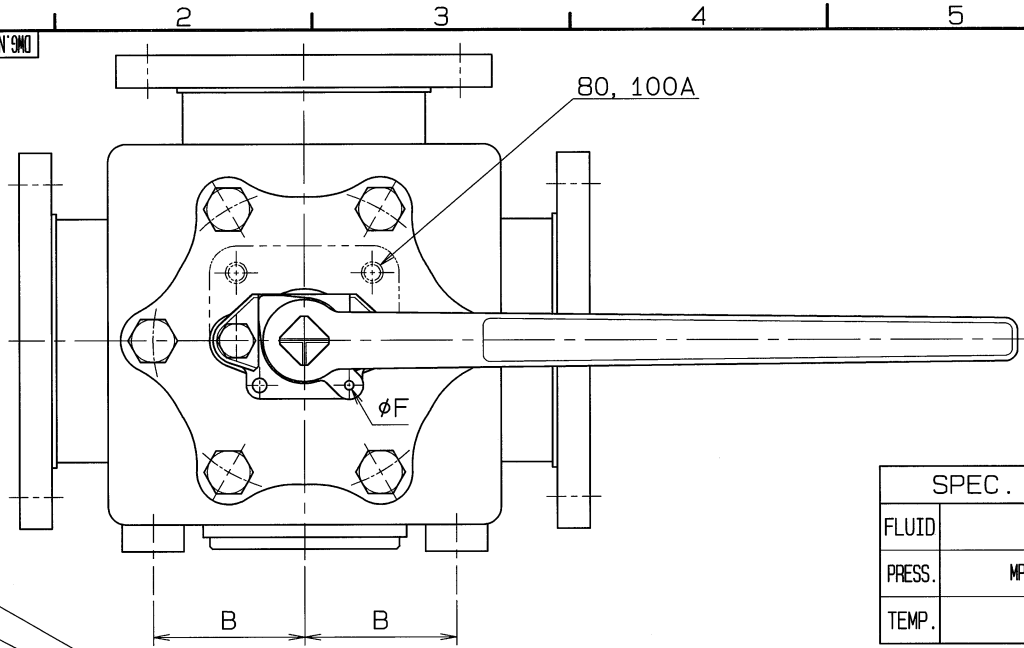


◇ 0160 BAJT-0160

SIZE	FLANGE SIZE	d	L	D	T	BOLT HOLE			H	W	A	B	E	F	Q, TY
						C	n	h							
50	80	50	260	185	18	150	8	19	138	320	95	60	Rp 1/2	5.1	
65	100	65	300	210	18	175	8	19	146	320	98	75	Rp 3/4	5.1	
80	100	80	320	210	18	175	8	19	157	400	116	85	Rp 3/4	5.1	
100	150	100	450	280	22	240	8	23	221	400	131	100	Rp 3/4	5.1	

A
B
C
D
E
F



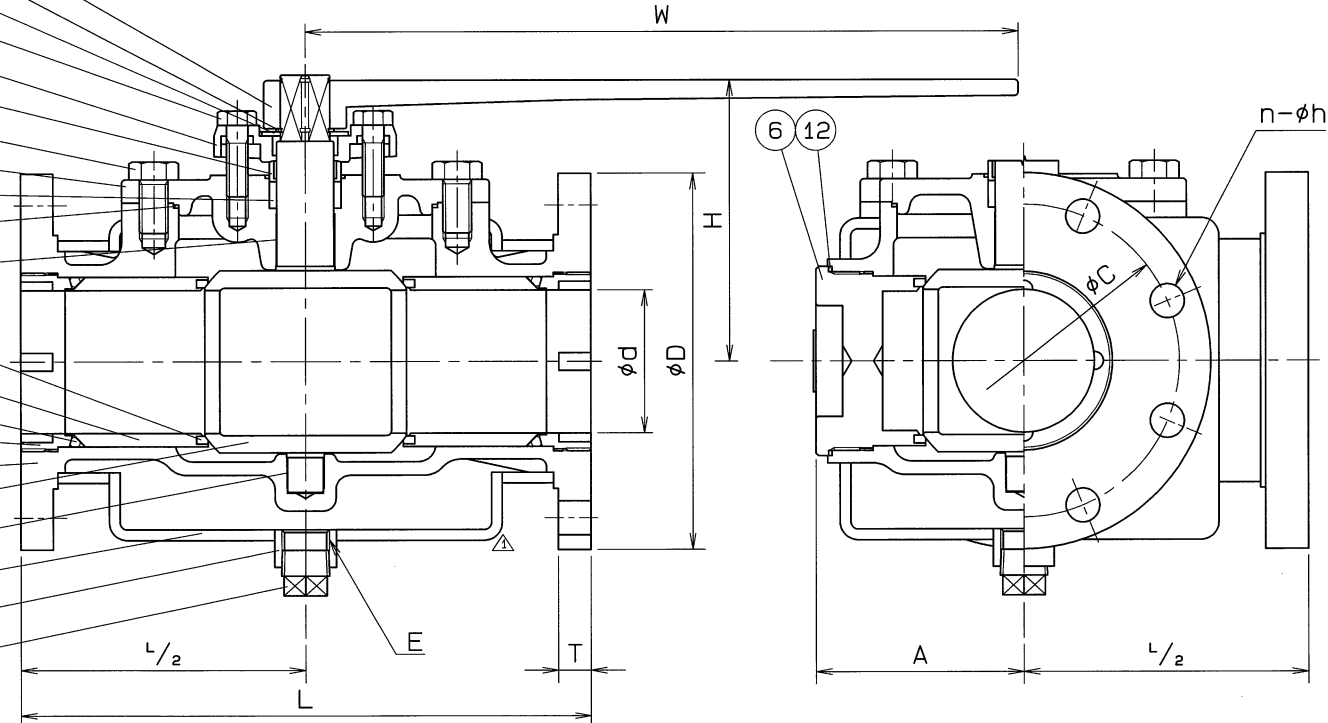
LEFT TURN: A-C
RIGHT TURN: A-B

SPEC.		TEST PRESS.	
FLUID		SHELL	HYDRO 2.1 MPa
PRESS.	MPa	SEAT	AIR 0.6 MPa
TEMP.	°C	JACKET	AIR 0.6 MPa

END FLANGED: JIS B 2220

No.	NAME OF PARTS	Q. TY	MATERIALS	REMARKS
23	JACKET		SS 400	
22	SOCKET	3	SS 400	
21	DRAIN PLUG	1	FCMB 27-05	
20	GLAND BOLT	2	SUS 304	
19	COVER BOLT	6	SUS 304	50A Q, TY-4
18	HANDLE	1	FCD 450	
17	STOP RING	1	SUS 304	
16	STOPPER	1	SUS 304	
15	BEARING	1	P.T.F.E.	+SUS 316
14	BEARING	1	P.T.F.E.	+SUS 316
13	O RING	3	VITON	
12	GASKET PACKING	1	P.T.F.E.	
11	COVER PACKING	1	P.T.F.E.	
10	GLAND PACKING	1set	P.T.F.E.	
9	BALL SEAT	4	P.T.F.E.	
8	GLAND SLEEVE	1	SUS 316	
7	GLAND	1	SCS 13	
6	SEAT HOLDER (C)	1	SUS 304	
5	SEAT HOLDER (B)	3	SUS 304	
4	SEAT HOLDER (A)	3	SUS 304	
3	BALL DISC	1	SCS 13A	
2	BODY COVER	1	SCS 13A	
1	BODY	1	SCS 13A	

18
17
16
20
7
8
19
2
10
11
15
9
4
13
5
1
3
14
23
22
21



△
△
△
ドレナプラグ仕様変更、ホネ子形状修正、蓋図変更 '16. 6.24.

NAME	JIS 10K F.F. FLANGED ENDS 4-SEATS		
TYPE	JACKET TYPE THREE WAY BALL VALVES T-PORT		
DMG.No.	BAJT-0160	APPROVED BY	<i>H. Adachi</i>
DATE	JUL. 23. 2007	CHECKED BY	<i>Y. Adachi</i>
SCALE		DESIGNED BY	<i>R. Matsuda</i>
THIRD ANGLE PROJECTION METHOD		DRAWN BY	<i>S. Ogiya</i>

O. N. INDUSTRIES LTD.