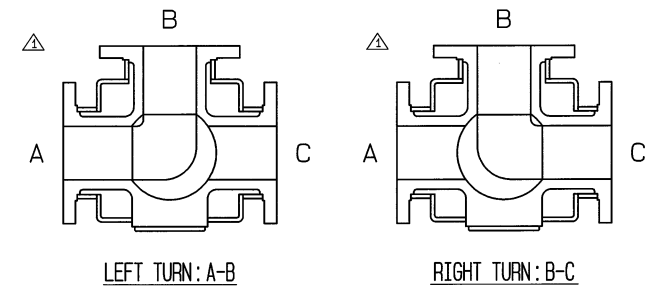
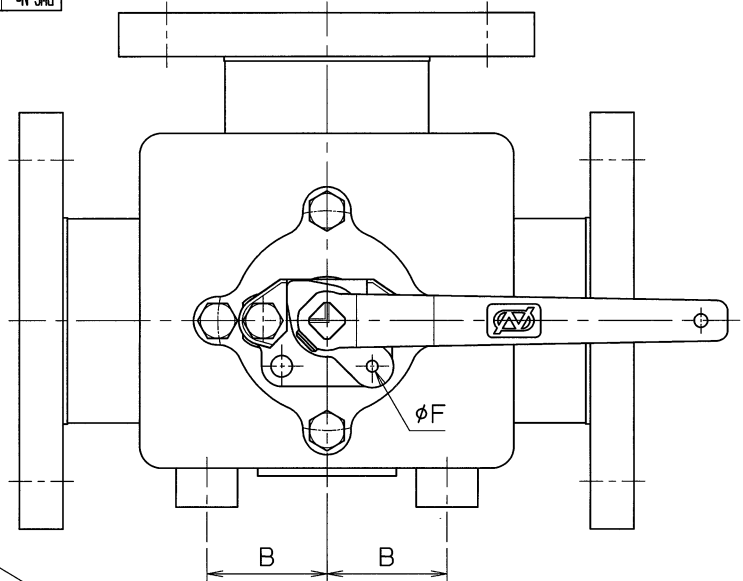


◇ Dwg. No. BAJT-0155

SIZE	FLANGE SIZE	d	L	D	T	BOLT HOLE			H	W	A	B	E	F	Q, TY
						C	n	h							
20	40	20	200	140	16	105	4	19	129	150	58	38	Rp 3/8	4.3	
25	50	25	230	155	16	120	4	19	132	150	58	45	Rp 3/8	4.3	
40	50	40	250	155	16	120	4	19	130	230	81	55	Rp 1/2	5.1	

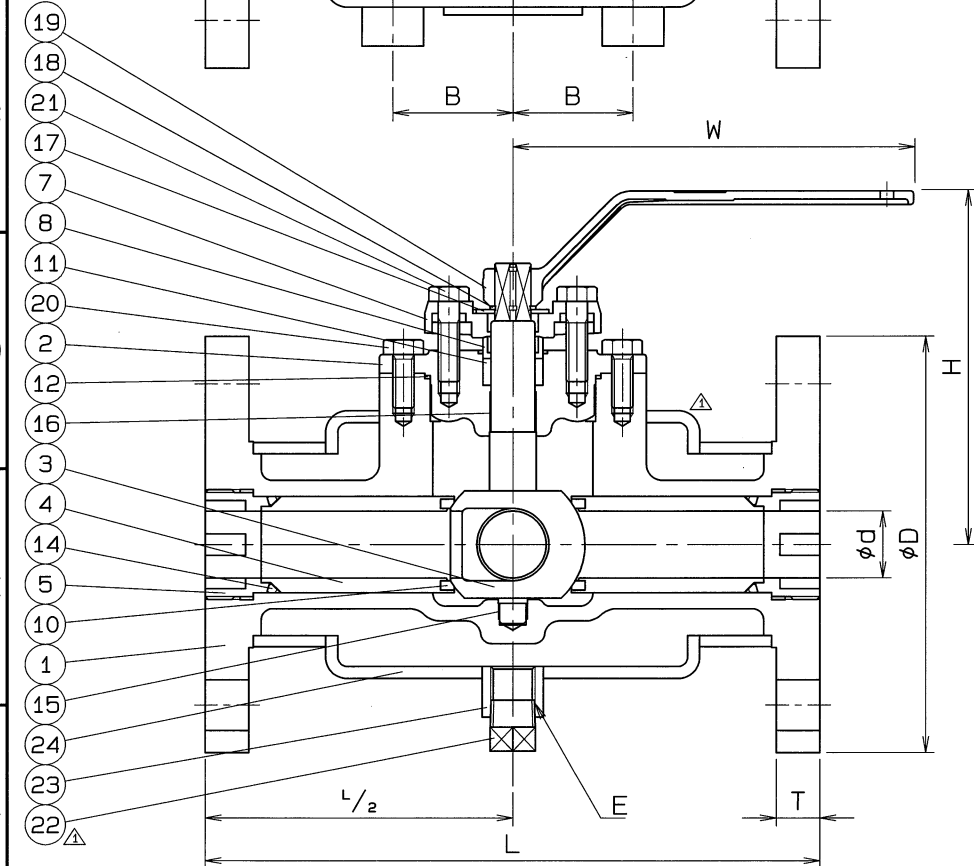
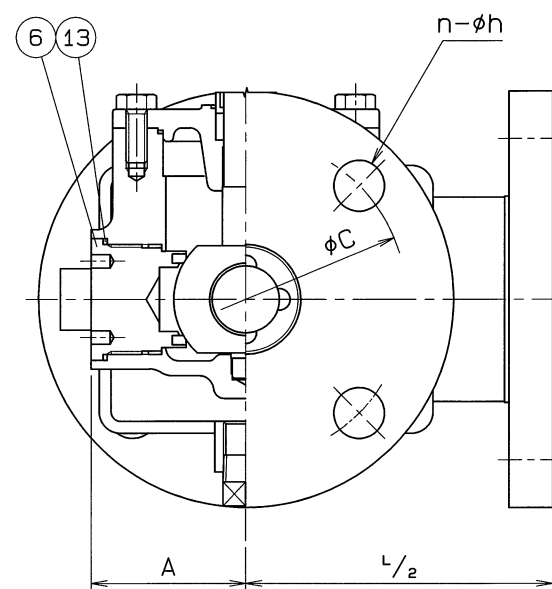
A
B
C
D
E
F



SPEC.		TEST PRESS.	
FLUID		SHELL	HYDRO 2.1 MPa
PRESS.	MPa	SEAT	AIR 0.6 MPa
TEMP.	℃	JACKET	AIR 0.6 MPa

END FLANGED: JIS B 2220

No.	NAME OF PARTS	Q.TY	MATERIALS	REMARKS
24	JACKET		SS 400	
23	SOCKET	3	SS 400	
22	DRAIN PLUG	1	FCMB 27-05	
21	GLAND BOLT	2	SUS 304	
20	COVER BOLT	4	SUS 304	
19	HANDLE	1	SCS 13	
18	STOP RING	1	SUS 304	
17	STOPPER	1	SUS 304	
16	BEARING	1	P.T.F.E.	+SUS 316
15	BEARING	1	P.T.F.E.	+SUS 316
14	O RING	3	VITON	
13	GASKET PACKING	1	P.T.F.E.	
12	COVER PACKING	1	P.T.F.E.	
11	GLAND PACKING	1SET	P.T.F.E.	
10	BALL SEAT	4	P.T.F.E.	
8	GLAND SLEEVE	1	SUS 316	
7	GLAND	1	SCS 13	
6	SEAT HOLDER (C)	1	SUS 304	
5	SEAT HOLDER (B)	3	SUS 304	
4	SEAT HOLDER (A)	3	SUS 304	
3	BALL DISC	1	SCS 13A	
2	BODY COVER	1	SCS 13A	
1	BODY	1	SCS 13A	



△ ドレインプラグ材質名変更、ボール形状修正、蓋図図変更 '16. 6.24.

NAME	JIS 10K F.F. FLANGED ENDS 4-SEATS		
TYPE	JACKET TYPE THREE WAY BALL VALVES	L-PORT	
DWG.No.	BAJT-0155	APPROVED BY	<i>A. Kishida</i>
DATE	JUL. 23. 2007	CHECKED BY	<i>R. Matsuda</i>
SCALE	:	DESIGNED BY	<i>R. Matsuda</i>
THIRD ANGLE PROJECTION METHOD		DRAWN BY	<i>S. Ohya</i>

O. N. INDUSTRIES LTD.