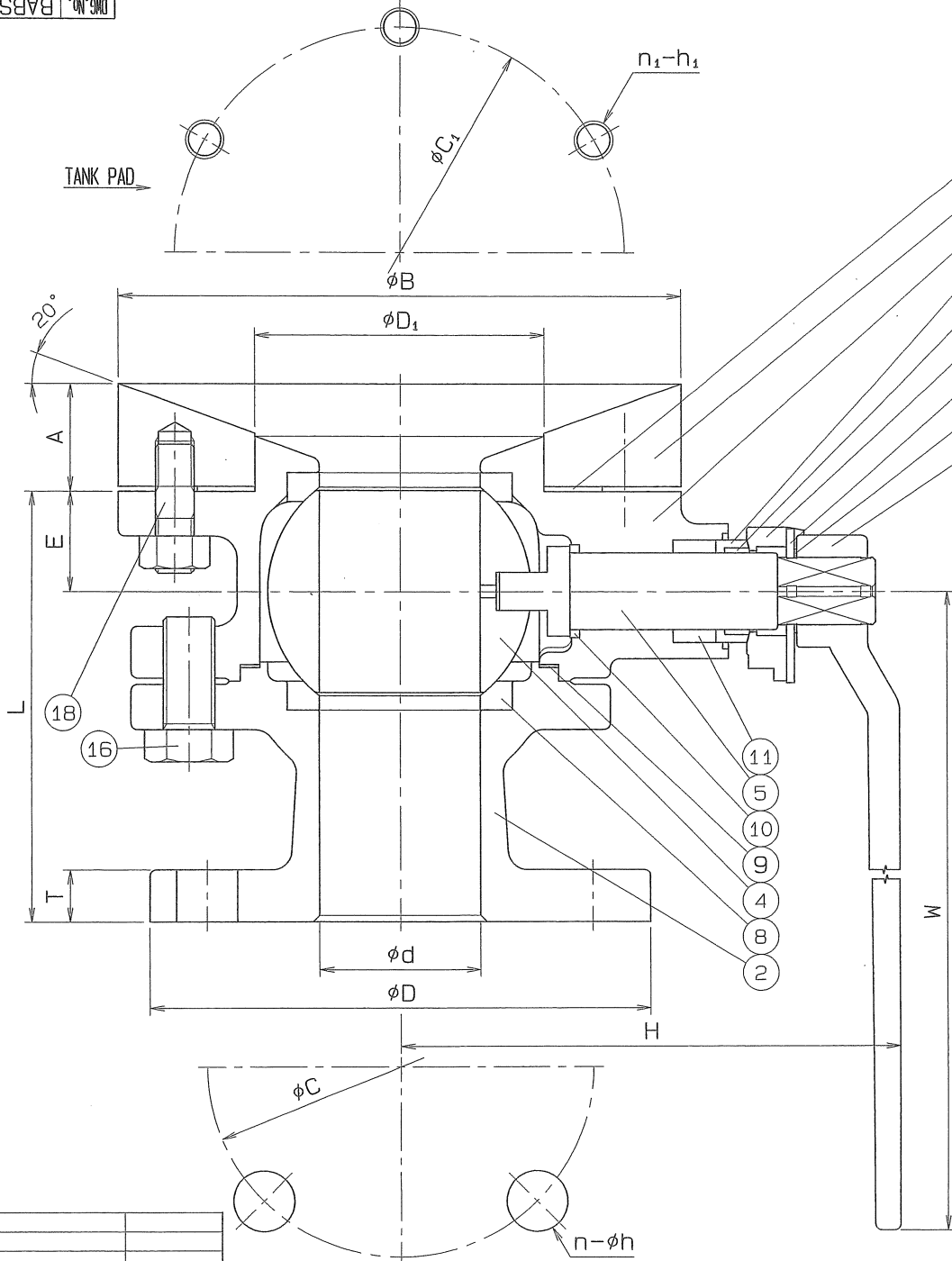


DWG. No. BABS-0274

SIZE	d	L	D	T	BOLT HOLE			H	W	A	E	B	D <sub>1</sub>	C <sub>1</sub>	n <sub>1</sub>	h <sub>1</sub>	F	Q, TY
					C	n	h											
50	50	134	155	16	120	4	19	155	320	33	31	175	90	140	6	M12	5.1	
65	65	143	175	18	140	4	19	162	320	38	37	195	102	160	6	M16	5.1	

A  
B  
C  
D  
E  
F



SPEC.		TEST PRESS.	
FLUID		SHELL	H <sub>2</sub> O 2.1 MPa (21.4 kgf/cm <sup>2</sup> )
PRESS.	MPa ( kgf/cm <sup>2</sup> )	SEAT	AIR 0.6 MPa (6.1 kgf/cm <sup>2</sup> )
TEMP.	°C	AIR	MPa ( kgf/cm <sup>2</sup> )

END FLANGED: JIS B 2220

No.	NAME OF PARTS	Q. TY	MATERIALS	REMARKS
19	GLAND SLEEVE	1	SUS 316	
18	STUD BOLT, NUT	2	SUS 304	
17	GLAND BOLT	6	SUS 304	
16	BODY CAP BOLT	×4	SUS 304	×65A: 6
15	HANDLE	1	FCD 450	
14	STOP RING	1	SUS 304	
13	STOPPER	1	SUS 304	
12	STEM BEARING	1	P. T. F. E.	GLASS FILLED
11	GLAND PACKING	1set	P. T. F. E.	
10	THRUST BEARING	1	P. T. F. E.	GLASS FILLED
9	GASKET PACKING	1	P. T. F. E.	
8	BALL SEAT	2	P. T. F. E.	GLASS FILLED
7	PAD PACKING	1	P. T. F. E.	GLASS FILLED
6	GLAND	1	SCS 13	
5	STEM	1	SUS 304	
4	BALL DISC	1	SCS 13A	
3	TANK PAD	1	SCS 13A	
2	BODY CAP	1	SCS 13A	
1	BODY	1	SCS 13A	

NAME				JIS 10 K F. F. FLANGED END STRAIGHT WAY TANK BALL VALVES			
TYPE		N-765		SIZE		50, 65 A	
DWG. No.		BABS-0274		APPROVED BY		K. Sano	
DATE		APR. 02. 2007.		CHECKED BY		K. Asakura	
SCALE				DESIGNED BY			
THIRD ANGLE PROJECTION METHOD				DRAWN BY			

**O. N. INDUSTRIES LTD.**