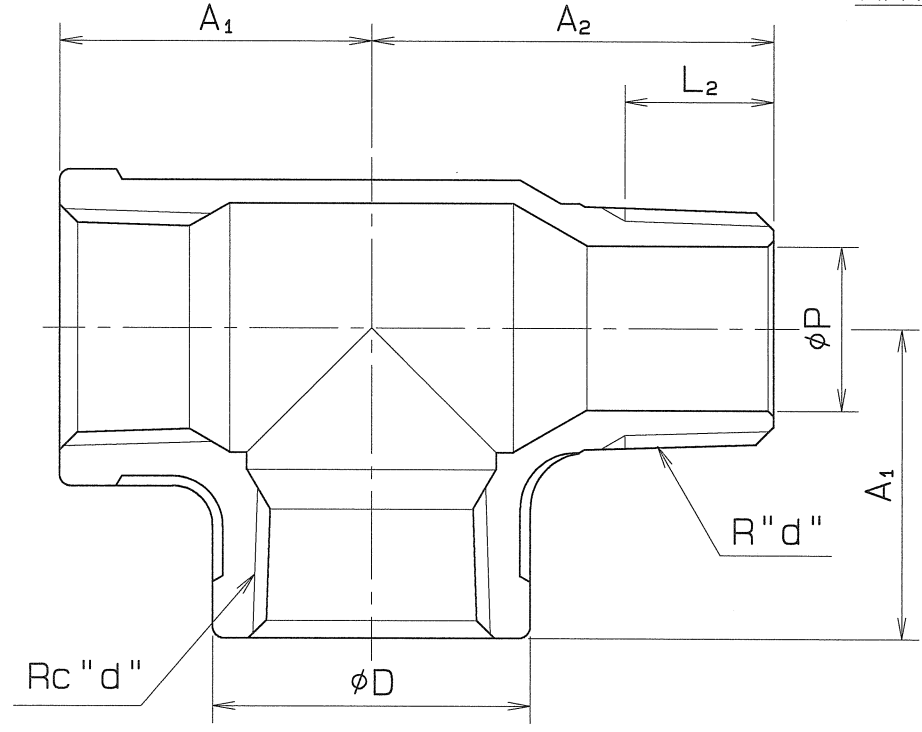


SIZE	PIPE THREADS	L ₂	A ₁	A ₂	D	P	Q, TY
	d						
³ / ₈	³ / ₈	10.1	23	32	23.5	11	
¹ / ₂	¹ / ₂	13.2	27	35	28	14.5	
³ / ₄	³ / ₄	14.6	32	40	34	19.5	

MATERIAL : SCS 13 \triangle



PIPE THREADS CONFORM WITH 'JIS B 0203'

SPEC		TEST PRESSURE	
FLUID		SHELL	AIR 0.6 MPa (6.1 kgf/cm ²)
PRESS.	MPa (kgf/cm ²)		MPa (kgf/cm ²)
TEMP.	°C		MPa (kgf/cm ²)

NAME		SERVICE TEE (A)	
TYPE	-	SIZE	³ / ₈ ~ ³ / ₄ B
DWG.No.	JAST-0002 \diamond	APPROVED BY	<i>M. Tsunoda</i>
DATE	OCT. 9. 2003	CHECKED BY	<i>H. Ashida</i>
SCALE	:	DESIGNED BY	-
THIRD ANGLE PROJECTION METHOD		DRAWN BY	<i>H. Sakai</i>

O. N. INDUSTRIES LTD.

\triangle		
\triangle	材質SCS14の削除	H16.10.19.
\triangle	品名, 検査圧力の変更	H16. 4. 6.