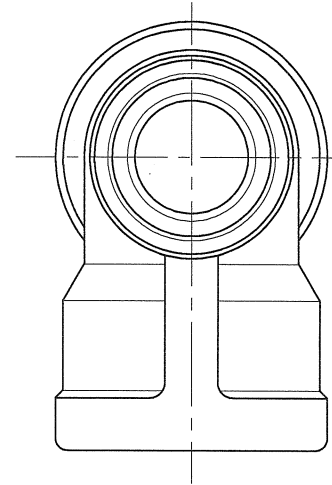
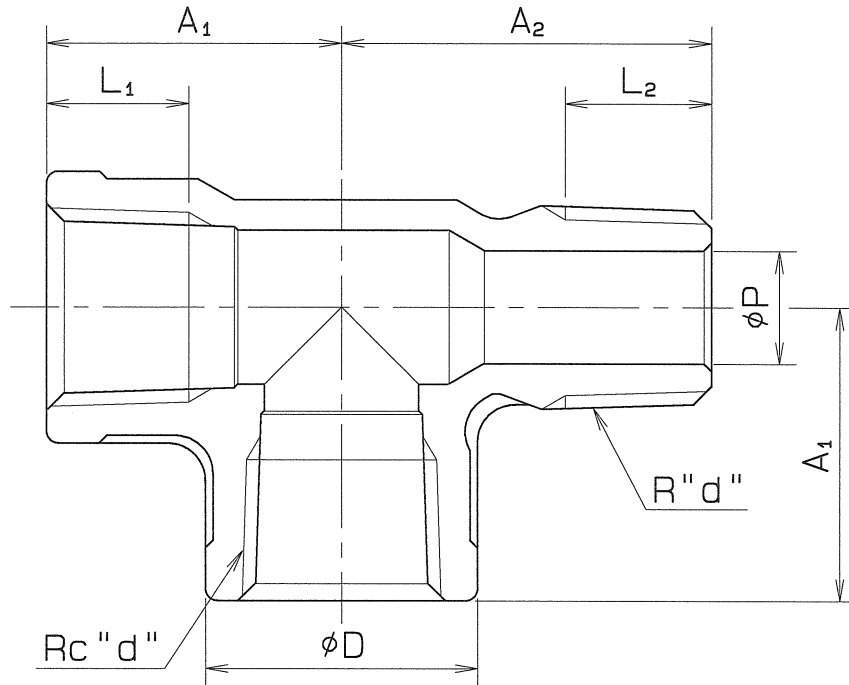


SIZE	PIPE THREADS	L <sub>1</sub>	L <sub>2</sub>	A <sub>1</sub>	A <sub>2</sub>	D	P	Q, TY
	d							
1/8	1/8	6.2	6.5	17	20	14.5	5	
1/4	1/4	9.4	9.8	19	24	18	7.5	

MATERIAL : SCS 13



PIPE THREADS CONFORM WITH 'JIS B 0203'

SPEC		TEST PRESSURE	
FLUID		SHELL	AIR 0.6 MPa (6.1 kgf/cm <sup>2</sup> )
PRESS.	MPa ( kgf/cm <sup>2</sup> )	AIR	MPa ( kgf/cm <sup>2</sup> )
TEMP.	°C	AIR	MPa ( kgf/cm <sup>2</sup> )

NAME		SERVICE TEE (A)	
TYPE	-	SIZE	1/8~1/4B
DWG.No.	JUST-0001	APPROVED BY	<i>K. Tsumoto</i>
DATE	OCT. 9. 2003	CHECKED BY	<i>H. Ashida</i>
SCALE	:	DESIGNED BY	-
THIRD ANGLE PROJECTION METHOD		DRAWN BY	<i>K. Sakai</i>

O. N. INDUSTRIES LTD.

	材質SCS14の削除	H16.10.19.
	品名, 検査圧力の変更	H16. 4. 6.