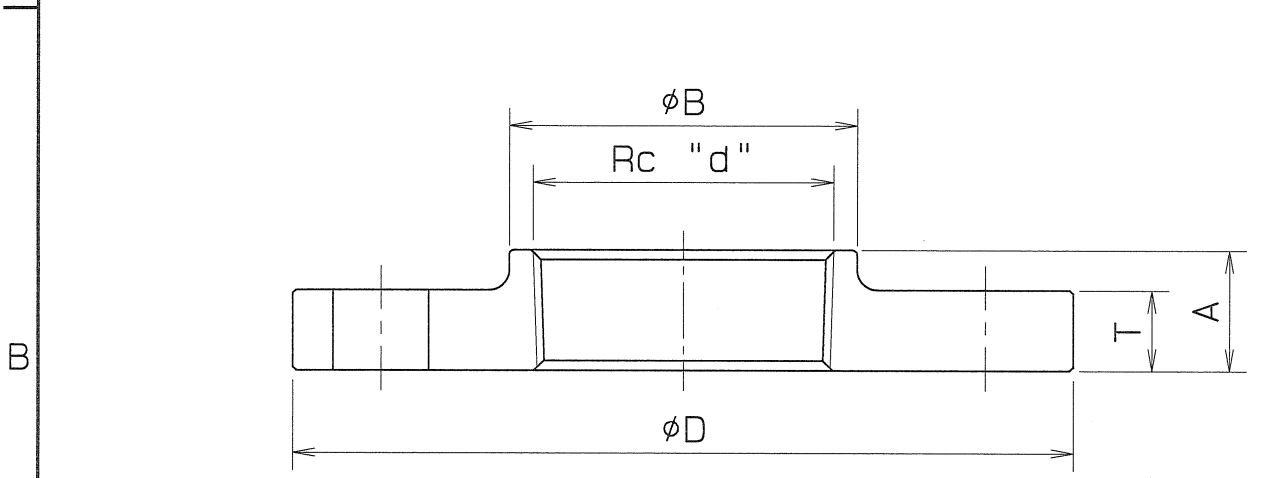
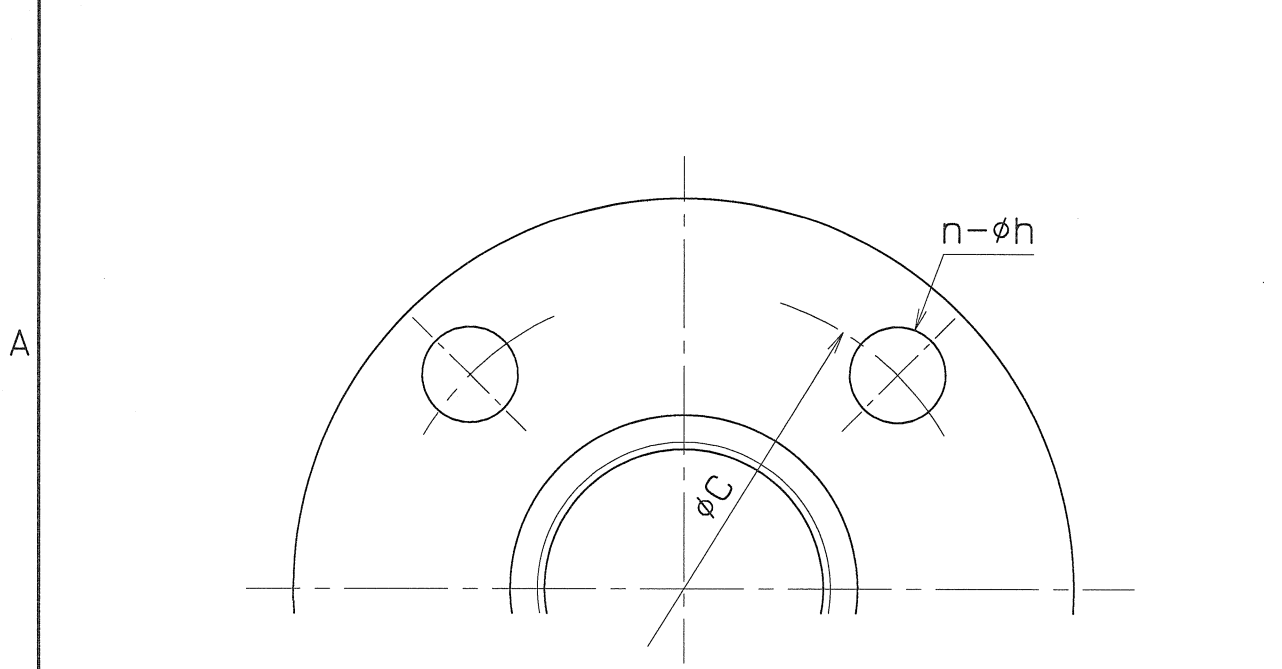


1 | 2 | 3 | 4



SIZE	d	D	T	BOLT HOLE			A	B	Q, TY
				C	n	h			
15A	1/2	95	12	70	4	15	16	27	
20A	3/4	100	14	75	4	15	20	33	
25A	1	125	14	90	4	19	20	41	
32A	1 1/4	135	16	100	4	19	22	50	
40A	1 1/2	140	16	105	4	19	24	56	
50A	2	155	16	120	4	19	24	69	
65A	2 1/2	175	18	140	4	19	27	86	
80A	3	185	18	150	8	19	30	99	
100A	4	210	18	175	8	19	36	127	

MATERIAL : SUSF304

END FLANGE : JIS B 2220

PIPE THREADS CONFORM WITH "JIS B 0203"

NAME	JIS 10K SCREWED FLANGE		
TYPE	-	SIZE	15~100A
DWG.No.	JAFT-0019 ◇	APPROVED BY	<i>K. Tanaka</i>
DATE	OCT. 06. 2011	CHECKED BY	<i>A. K. Singh</i>
SCALE	:	DESIGNED BY	<i>R. Mohan</i>
THIRD ANGLE PROJECTION METHOD	DRAWN BY		

**O. N. INDUSTRIES LTD.**

△		
△		
△		