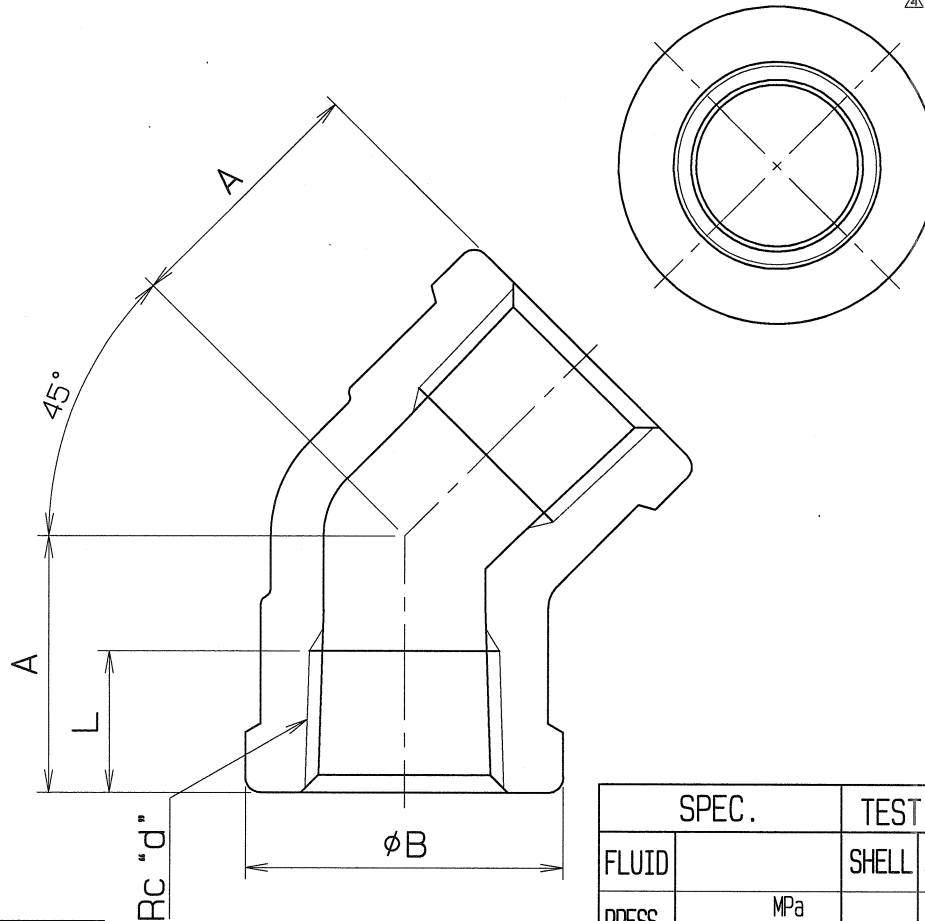


MATERIAL : SCS 13, SCS 14

SIZE	PIPE TREADS	L	A	B	Q, TY
	d				
1/8	1/8	6	16	17	
1/4	1/4	9	17	21	
3/8	3/8	10	19	25	
△ 1/2	1/2	13	21	28	
△ 3/4	3/4	14	25	33.5	
△ 1	1	16	29	40.5	



PIPE TREADS CONFORM WITH 'JIS B 0203'

SPEC.		TEST PRESSURE	
FLUID		SHELL	AIR 0.6 MPa (6.1 kgf/cm ²)
PRESS.	MPa (kgf/cm ²)	AIR	MPa (kgf/cm ²)
TEMP.	°C	AIR	MPa (kgf/cm ²)

NAME		45° ELBOW	
TYPE	-	SIZE	1/8 ~ 1B △
DWG.No.	JADV-0017	APPROVED BY	<i>H. Yamada</i>
DATE	APR. 8. 1991	CHECKED BY	<i>G. K. Sella</i>
SCALE	:	DESIGNED BY	-
THIRD ANGLE PROJECTION METHOD		DRAWN BY	<i>H. Sakai</i>

△	検査圧力の変更	H19. 6. 7.
△	1B 追加	H11.08.23.
△	検査圧力の変更	H11. 5.10.
△	3/4 追加	H 8.11. 6.
△	リブ削除及び1/2追加	H 8. 3. 7.

O. N. INDUSTRIES LTD.