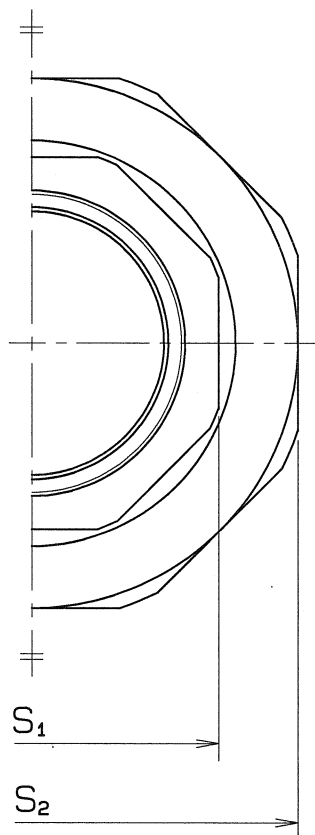
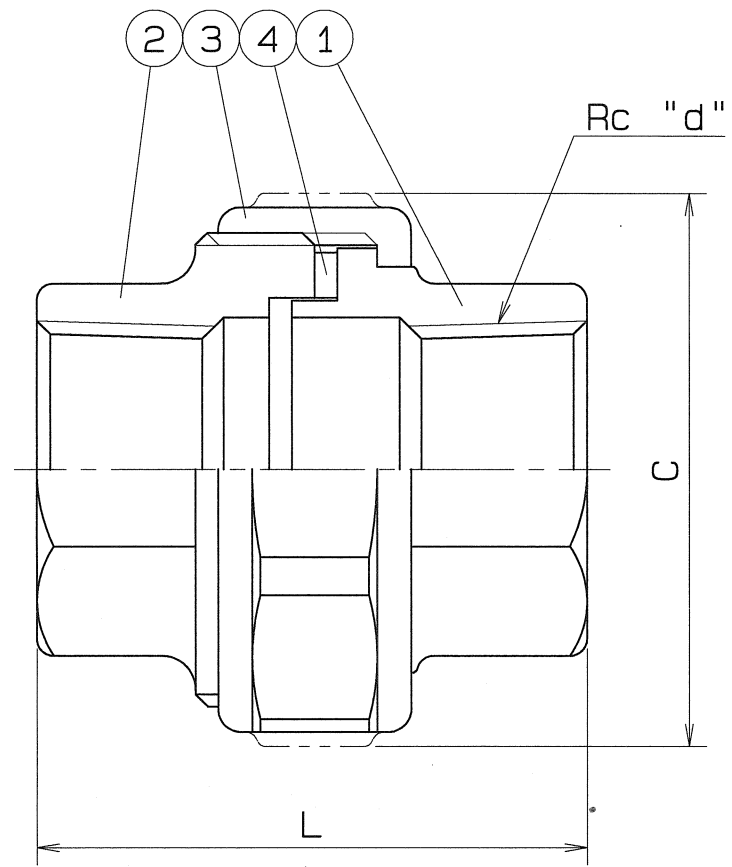


ノンアスベスト



SIZE	PIPE TREADS	L	S <sub>1</sub>	S <sub>2</sub>	C	Q.TY
	d					
3/8	3/8	38.5	23	35	37.5	
1/2	1/2	41.5	27	40	42.5	
3/4	3/4	48.5	33	47	49.5	
1	1	54	41	57	60	
1 1/4	1 1/4	56	50	66	69	
1 1/2	1 1/2	60.5	56	75	78	
2	2	67	69	90	93	
2 1/2	2 1/2	77	86	109	113	
3	3	85	99	125	129	
4	4	111.5	127	157	161	

SPEC.		TEST PRESSURE	
FLUID		SHELL	AIR 0.6 MPa (6.1 kgf/cm <sup>2</sup> )
PRESS.	MAX 1.0 MPa		AIR ( MPa kgf/cm <sup>2</sup> )
TEMP.	MAX 130 ℃		AIR ( MPa kgf/cm <sup>2</sup> )

\*No.4 : NON-ASBESTOS GASKET

APPLICABLE STANDARD : JIS B 2308  
PIPE TREADS CONFORM WITH "JIS B 0203"

No.	NAME OF PARTS	Q.TY	MATERIALS	REMARKS
x4	GASKET	1	P#5650	
3	UNION NUT	1	SCS 13	
2	UNION SCREW	1	SCS 13 SCS 14	
1	UNION TSUBA	1	SCS 13 SCS 14	

NAME	UNION		
TYPE		SIZE	3/8~4B
DWG.No.	JADU-0070	APPROVED BY	<i>K. Kuroki</i>
DATE	APR. 19. 2005	CHECKED BY	<i>A. S. Kida</i>
SCALE		DESIGNED BY	-
THIRD ANGLE PROJECTION METHOD		DRAWN BY	<i>K. Sakai</i>

S<sub>1</sub>, S<sub>2</sub>: 3/8~1B-OCTAGON, 1 1/4~4B-DECAGON

△ ロスタックス製

△		
△	4Bをシェルからロストに変更	H19. 6. 7.
△	注記の追加	H17. 7. 8.

**O. N. INDUSTRIES LTD.**