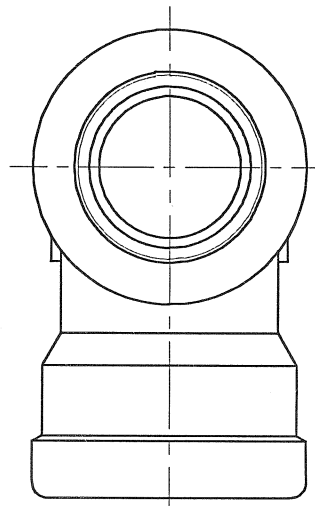
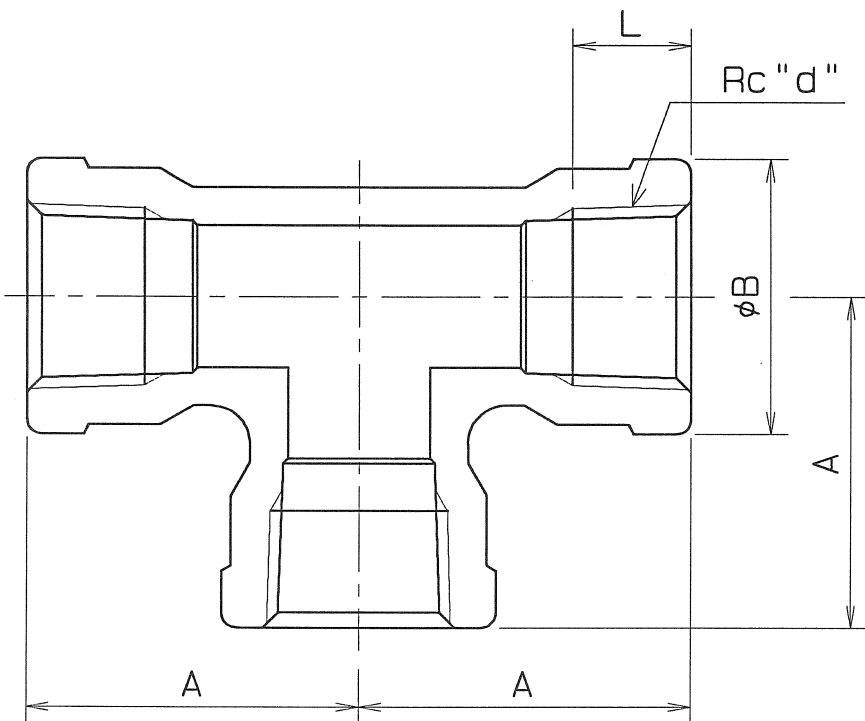


MATERIAL : SCS 13, SCS 14

SIZE	PIPE THREADS	L	A	B	Q, TY
	d				
1/8	1/8	6	17	13.5	
1/4	1/4	9	19	18.0	



PIPE THREADS CONFORM WITH "JIS B 0203"

SPEC.		TEST PRESSURE	
FLUID		SHELL	AIR 0.6 MPa (6.1 kgf/cm ²)
PRESS.	MPa (kgf/cm ²)	AIR	MPa (kgf/cm ²)
TEMP.	°C	AIR	MPa (kgf/cm ²)

NAME		TEE	
TYPE	-	SIZE	1/8, 1/4B
DRG.No.	JADT-0045 ◇	APPROVED BY	<i>S. Yumoto</i>
DATE	DEC. 25. 2003	CHECKED BY	<i>K. Asakura</i>
SCALE	:	DESIGNED BY	-
THIRD ANGLE PROJECTION METHOD		DRAWN BY	<i>K. Takemura</i>
O. N. INDUSTRIES LTD.			

△			
△			
△			
符号	訂正事由	年.月.日.	訂正者