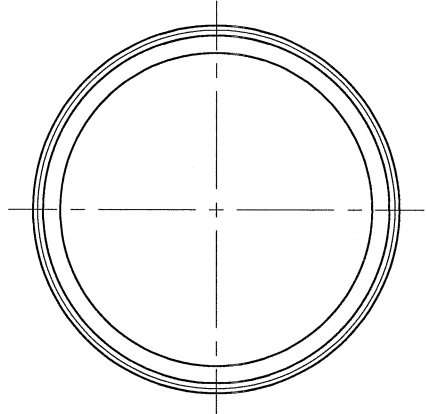
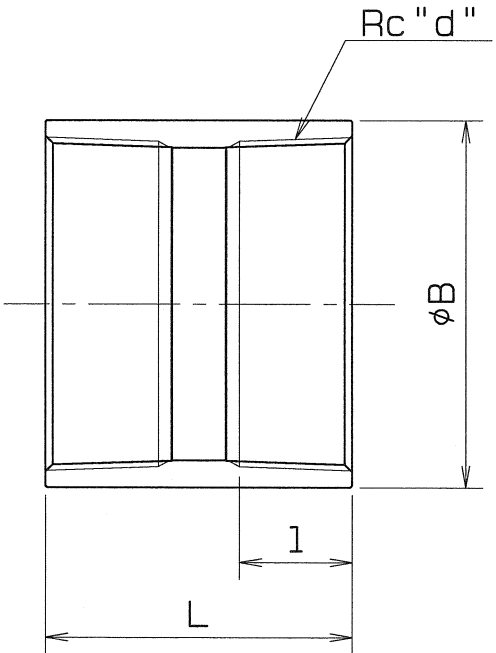


1 | 2 | 3 | 4

SIZE	PIPE THREADS	L	B	l	Q, TY
	d				
2 <sup>1</sup> / <sub>2</sub>	2 <sup>1</sup> / <sub>2</sub>	73	83	26.7	
3	3	81	97	29.8	
4	4	93	125	35.8	

MATERIAL : SUS 304



PIPE THREADS CONFORM WITH 'JIS B 0203'

SPEC.		TEST PRESSURE	
FLUID		SHELL	AIR 0.6 MPa (6.1 kgf/cm <sup>2</sup> )
PRESS.	MPa ( kgf/cm <sup>2</sup> )		MPa AIR ( kgf/cm <sup>2</sup> )
TEMP.	°C		MPa AIR ( kgf/cm <sup>2</sup> )

NAME	SOCKET (TAPER THREADS)		
TYPE	-	SIZE	2 <sup>1</sup> / <sub>2</sub> ~ 4 B
DWG.No.	JADS-0044 ◊	APPROVED BY	<i>S. Yamoto</i>
DATE	SEP. 25. 2008	CHECKED BY	<i>H. Asakawa</i>
SCALE	:	DESIGNED BY	-
THIRD ANGLE PROJECTION METHOD		DRAWN BY	<i>K. Takahara</i>

**O. N. INDUSTRIES LTD.**

A

A

B

B

△		
△		
△		