

1

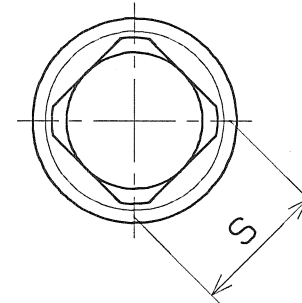
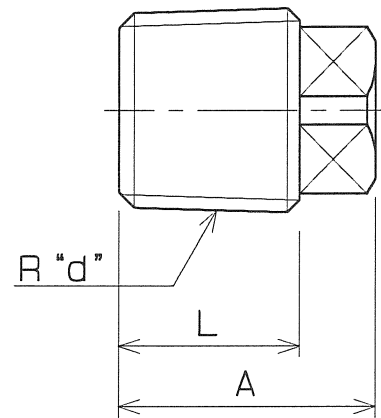
2

3

4

SIZE	PIPE THREADS	L	A	S	Q, TY
	d				
1/8	1/8	9	16	7	
1/4	1/4	12	17	9	
3/8	3/8	12	18	12	

MATERIAL : SUS 304 , SUS 316



PIPE THREADS CONFORM WITH "JIS B 0203"

NAME		△ SQUARE PLUG	
TYPE	-	SIZE	△ 1/8 ~ 3/8 B
DWG.No.	JADP-0028	APPROVED BY	<i>R. Yoneto</i>
DATE	APR. 1. 1992	CHECKED BY	<i>K. Asai</i>
SCALE	:	DESIGNED BY	<i>R. Matsubara</i>
THIRD ANGLE PROJECTION METHOD		DRAWN BY	

△	1/2, 3/4の削除	'06. 2. 15.
△	仕様表の削除	'99. 5. 10.
△	SQUARE	'97. 6. 5.

O. N. INDUSTRIES LTD.