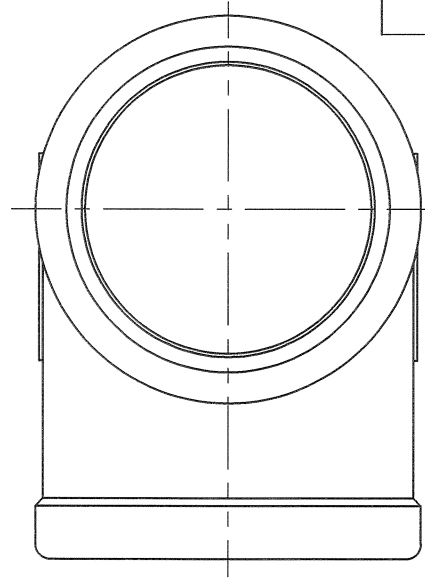
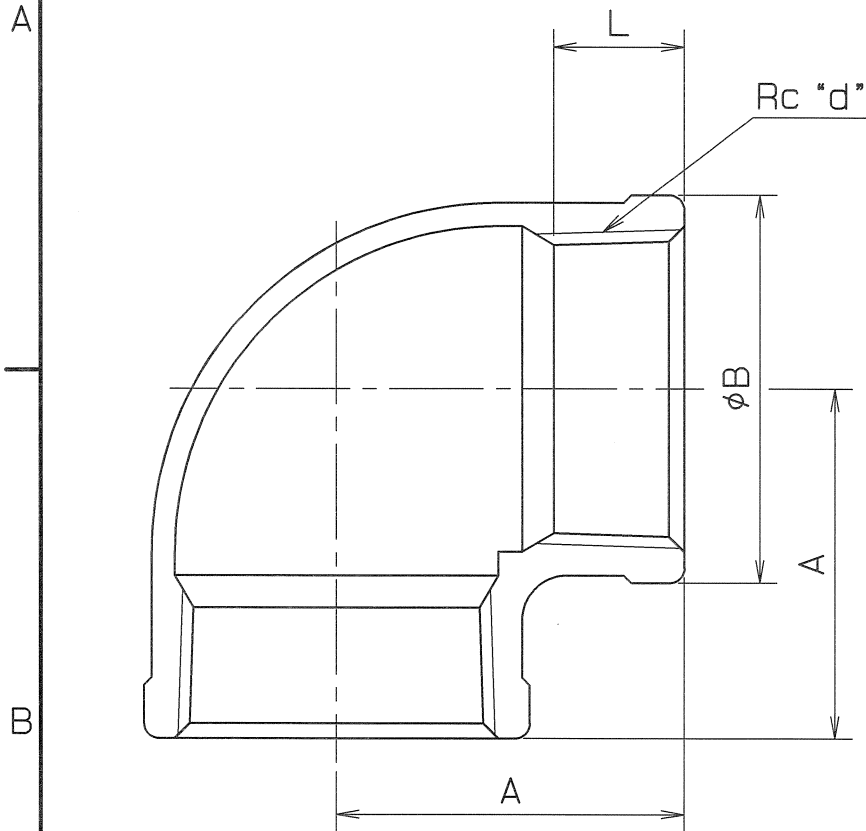


MATERIAL : SCS 13, SCS 14

SIZE	PIPE THREADS	L	A	B	Q, TY
	d				
$\frac{3}{8}$	$\frac{3}{8}$	9	23	23.5	
$\frac{1}{2}$	$\frac{1}{2}$	11	27	26.5	
$\frac{3}{4}$	$\frac{3}{4}$	13	32	32.5	
1	1	15	38	39.5	
$1\frac{1}{4}$	$1\frac{1}{4}$	17	46	51	
$1\frac{1}{2}$	$1\frac{1}{2}$	18	48	58.5	
2	2	20	57	71	
$2\frac{1}{2}$	$2\frac{1}{2}$	23	69	88.5	
3	3	25	78	102	
4	4	28	96	130	



PIPE THREADS CONFORM WITH "JIS B 0203"

SPEC		TEST PRESSURE	
FLUID		SHELL	AIR 0.6 MPa (6.1 kgf/cm ²)
PRESS.	MPa (kgf/cm ²)	AIR	MPa (kgf/cm ²)
TEMP.	°C	AIR	MPa (kgf/cm ²)

NAME	90° ELBOW		
TYPE	-	SIZE	$\frac{3}{8}$ ~ 4 B \triangle
DWG.No.	JADL-0044 \diamond	APPROVED BY	<i>M. Yamashita</i>
DATE	AUG. 21. 2000	CHECKED BY	<i>K. Adachi</i>
SCALE	:	DESIGNED BY	
THIRD ANGLE PROJECTION METHOD		DRAWN BY	<i>M. Yamashita</i>

\triangle	寸法変更	H27.12.17.	山島
\triangle	$2\frac{1}{2}$ ~4Bの追加	H15.12.3.	松木
\triangle	$3/8$ ~1Bの追加、検査圧力の変更	H15.10.15.	高井
符号	訂正事由	年.月.日.	訂正者

O. N. INDUSTRIES LTD.