

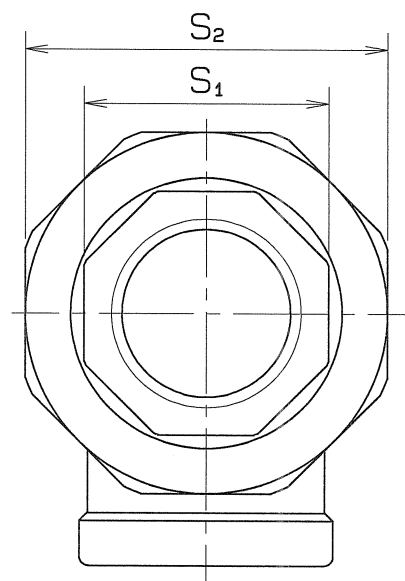
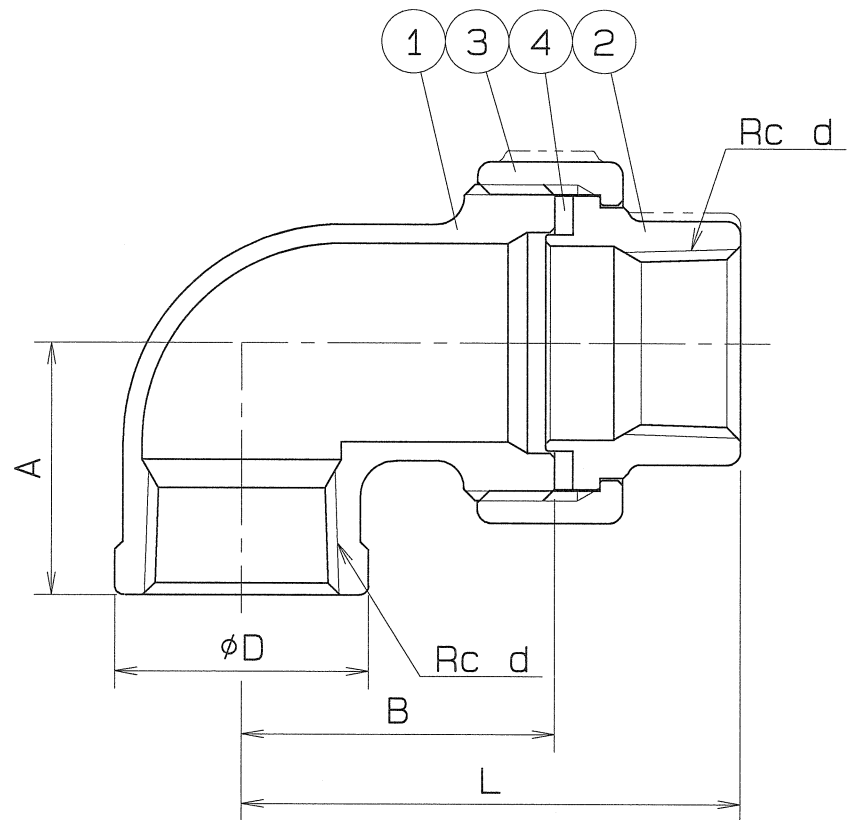
ノンアスベスト

SIZE	d	L	A	B	D	S ₁	S ₂	Q.TY
³ / ₈	³ / ₈	49	24	30.0	23.5	23	35	
¹ / ₂	¹ / ₂	54.5	28	34.5	28.0	27	40	
³ / ₄	³ / ₄	64	33	40.5	34.0	33	47	
1	1	73	38	46.5	41.0	41	57	

△

A

A



SPEC.		TEST PRESSURE	
FLUID		SHELL	AIR 0.6 MPa (6.1 kgf/cm ²)
PRESS.	MAX 1.0 MPa	AIR	(MPa kgf/cm ²)
TEMP.	MAX 130 ℃	AIR	(MPa kgf/cm ²)

△

*No. 4 : NON-ASBESTOS GASKET

APPLICABLE STANDARD : JIS B 2308
PIPE THREADS CONFORM WITH "JIS B 0203"

*4	GASKET PACKING	1	P#5650	
3	UNION NUT	1	SCS 13	
2	UNION TSUBA	1	SCS 13	
1	UNION HIJI	1	SCS 13	
No.	NAME OF PARTS	Q.TY	MATERIALS	REMARKS

NAME	UNION ELBOW		
TYPE		SIZE	³ / ₈ B~1B
ENG.No.	JADJ-0010	APPROVED BY	<i>[Signature]</i>
DATE	APR. 19. 2005	CHECKED BY	<i>[Signature]</i>
SCALE	:	DESIGNED BY	
THIRD ANGLE PROJECTION METHOD		DRAWN BY	<i>[Signature]</i>

O. N. INDUSTRIES LTD.

△		
△	検査圧力の変更	H19. 10. 17.
△	L寸法変更	H17. 5. 30.

B

B