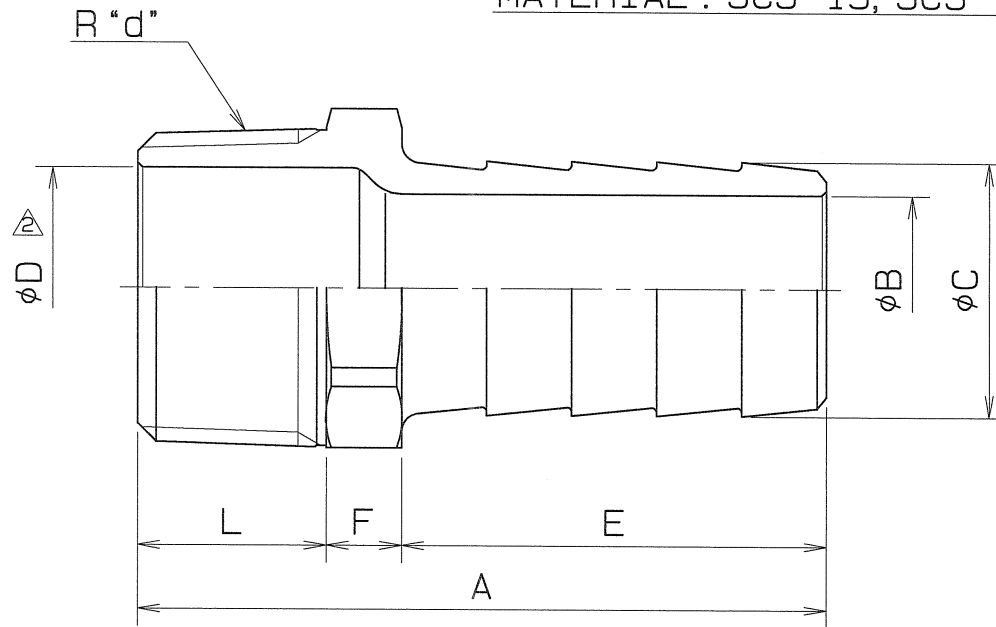
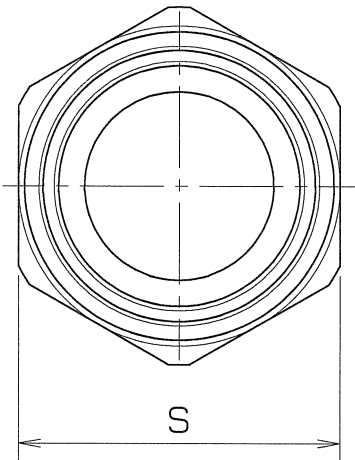


SIZE	PIPE TREADS	L	A	B	C	D	E	F	S	Q, TY
	d									
³ / ₄	³ / ₄	18	65	14	20.5	19.5	40	7	27	
1	1	20	73	20	27	25.5	45	8	34	
1 ¹ / ₄	1 ¹ / ₄	23	82	25	33	33	50	9	43	
1 ¹ / ₂	1 ¹ / ₂	23	88	31	39.5	39	55	10	49	
2	2	26	98	42	52	50	60	12	61	

MATERIAL : SCS 13, SCS 14



PIPE THREAD CONFORM WITH "JIS B 0203"

SPEC.		TEST PRESSURE	
FLUID		SHELL	AIR 0.6 MPa (6.1 kgf/cm ²)
PRESS.	MPa (kgf/cm ²)		MPa (kgf/cm ²)
TEMP.	°C		MPa (kgf/cm ²)

NAME		HOSE NIPPLE	
TYPE		SIZE	³ / ₄ B~2B
DWG.No.	JADH-0020	APPROVED BY	<i>K. Yumoto</i>
DATE	OCT. 24. 1997	CHECKED BY	<i>H. Akita</i>
SCALE	:	DESIGNED BY	-
THIRD ANGLE PROJECTION METHOD		DRAWN BY	<i>N. Taketaka</i>

O. N. INDUSTRIES LTD.

△		
△	検査圧力の変更・寸法追加	H19. 6. 7.
△	検査圧力の変更	H11. 5. 10.