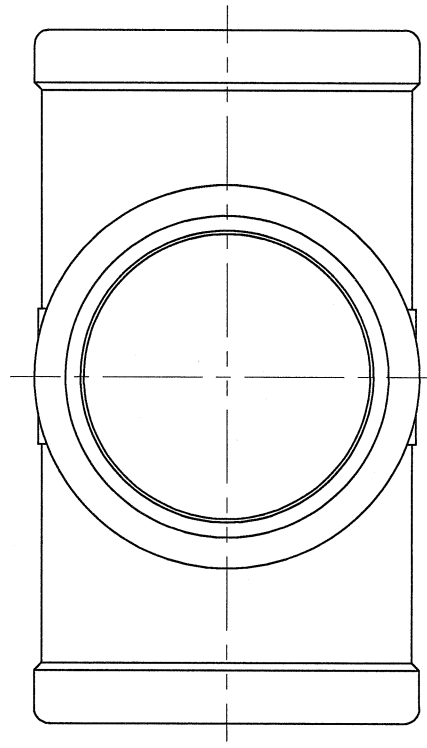
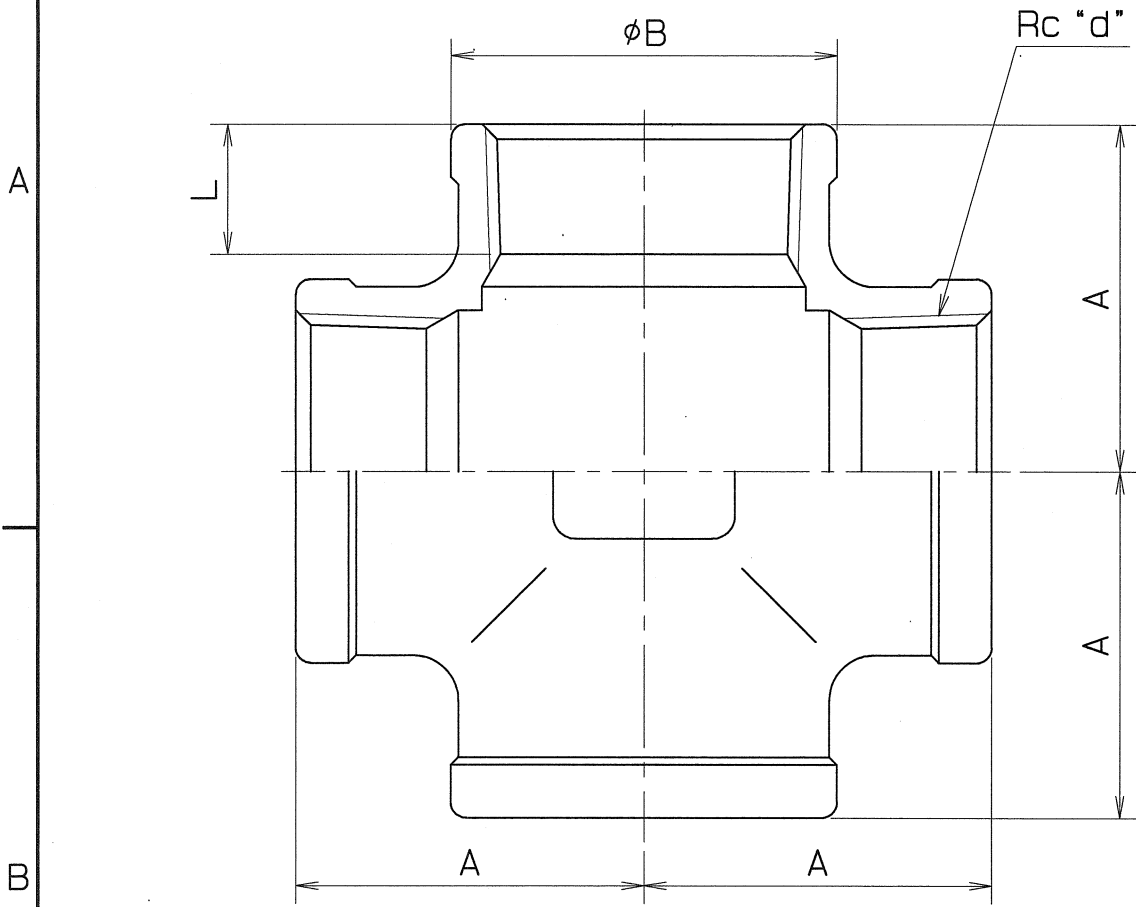


1 | 2 | 3 | 4

MATERIAL : SCS 13, SCS 14

SIZE	PIPE THREADS	L	A	B	Q, TY
	d				
1 <sup>1</sup> / <sub>4</sub>	1 <sup>1</sup> / <sub>4</sub>	17	46	51	
1 <sup>1</sup> / <sub>2</sub>	1 <sup>1</sup> / <sub>2</sub>	18	48	58.5	
2	2	20	57	71	



PIPE THREADS CONFORM WITH 'JIS B 0203'

SPEC.		TEST PRESSURE	
FLUID		SHELL	AIR 0.6 MPa (6.1 kgf/cm <sup>2</sup> )
PRESS.	MPa ( kgf/cm <sup>2</sup> )	AIR	MPa ( kgf/cm <sup>2</sup> )
TEMP.	°C	AIR	MPa ( kgf/cm <sup>2</sup> )

NAME	CROSS	
TYPE	-	SIZE 1 <sup>1</sup> / <sub>4</sub> ~ 2 B
DWG.No.	JADC-0018	APPROVED BY <i>H. Kuroki</i>
DATE	AUG. 21. 2000	CHECKED BY <i>H. Kuroki</i>
SCALE	:	DESIGNED BY -
THIRD ANGLE PROJECTION METHOD		DRAWN BY <i>H. Sakai</i>

△		
△	検査圧力の変更	H19. 6. 7.
△	寸法訂正	H12.11.21.

**O. N. INDUSTRIES LTD.**