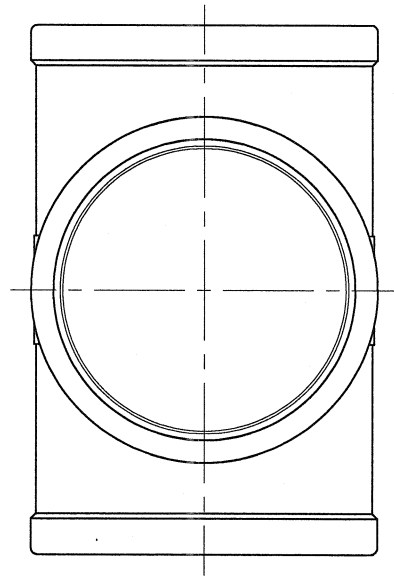
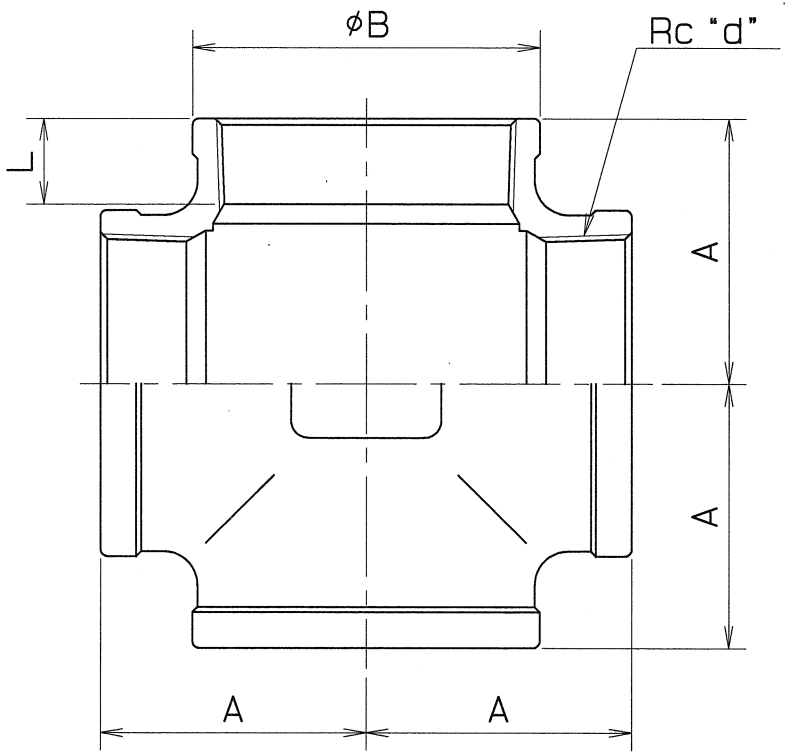


1 | 2 | 3 | 4

| SIZE | PIPE THREADS | L | A | B | Q, TY |
|---------------------------------|-------------------------------|----|----|------|-------|
| | d | | | | |
| △ 2 ¹ / ₂ | 2 ¹ / ₂ | 23 | 69 | 88.5 | |
| △ 3 | 3 | 25 | 78 | 102 | |
| △ 4 | 4 | 28 | 96 | 130 | |

MATERIAL : SCS 13 , SCS 14

A



A

B

B

△ □ストワックス製

△ PIPE THREADS CONFORM WITH 'JIS B 0203'

| SPEC. | | TEST PRESSURE | |
|--------|--------------------------------|---------------|---|
| FLUID | | SHELL | AIR 0.6 MPa (6.1 kgf/cm ²) |
| PRESS. | MPa (kgf/cm ²) | AIR | MPa (kgf/cm ²) |
| TEMP. | ℃ | AIR | MPa (kgf/cm ²) |

| NAME | CROSS | |
|-------------------------------|--------------------------|--|
| TYPE | - | SIZE △ 2 ¹ / ₂ ~ 4 B |
| DWG.No. | JADC-0013 | APPROVED BY <i>K. Yamato</i> |
| DATE | NOV. 7. 1992 | CHECKED BY <i>H. Adachi</i> |
| SCALE | : | DESIGNED BY - |
| THIRD ANGLE PROJECTION METHOD | DRAWN BY <i>H. Sakai</i> | |

| | |
|------------------------|--------------|
| △ シェルからロストに変更, 検査圧力の変更 | H19. 6. 7. |
| △ 11/4~2B 削除 | H12. 10. 19. |
| △ 検査圧力の変更 | H11. 5. 10. |

O. N. INDUSTRIES LTD.