

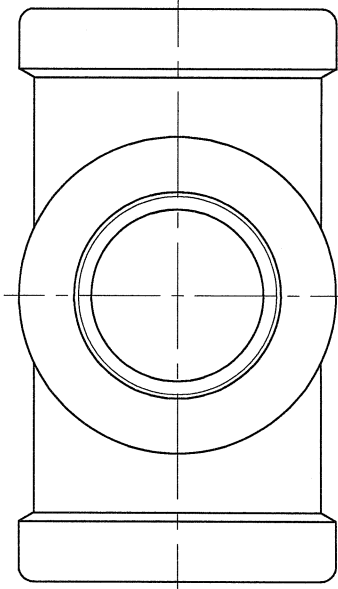
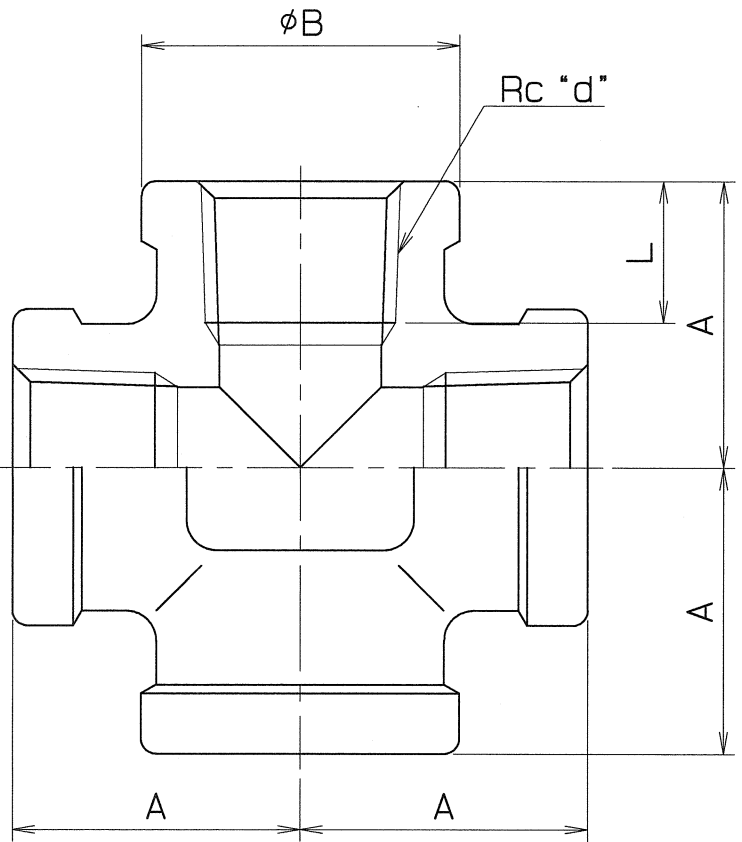
1 | 2 | 3 | 4

SIZE	PIPE THREADS	L	A	B	Q, TY
	d				
1/8	1/8	6	17	17	
1/4	1/4	9	19	21	
3/8	3/8	10	23	25	
1/2	1/2	13	27	29	
3/4	3/4	14	32	35	
1	1	16	38	42	

MATERIAL : SCS 13, SCS- 14

A

B



A

B

PIPE THREADS CONFORM WITH 'JIS B 0203'

△	検査圧力の変更	H19. 6. 7.
△	検査圧力の変更	H11. 5.10.
△	リブ 無しとする。	H 7. 10. 3.

SPEC.		TEST PRESSURE	
FLUID		SHELL	0.6 MPa (6.1 kgf/cm ²)
PRESS.	MPa (kgf/cm ²)	AIR	MPa (kgf/cm ²)
TEMP.	°C	AIR	MPa (kgf/cm ²)

NAME	CROSS	
TYPE	-	SIZE 1/8 ~ 1 B
DWG.No.	JADC-0012	APPROVED BY <i>K. Yamato</i>
DATE	NOV. 7. 1992.	CHECKED BY <i>S. Adachi</i>
SCALE	:	DESIGNED BY -
THIRD ANGLE PROJECTION METHOD		DRAWN BY <i>M. Sakai</i>

O. N. INDUSTRIES LTD.