

SIZE	PIPE THREADS		A	L	I	J	S	B	Q, TY
	d ₁	d ₂							
2 ^{1/2}	2	2	43	22.5	30	13	80	89	
	1 ^{1/2}	1 ^{1/2}		20.5					
	1 ^{1/4}	1 ^{1/4}		19.5					
	1	1		17.5					
3	2 ^{1/2}	2 ^{1/2}	47	25.5	34	13	95	105	
	2	2		22.5					
	1 ^{1/2}	1 ^{1/2}		20.5					
	1 ^{1/4}	1 ^{1/4}		19.5					
4	3	3	52.5	27.5	39.5	13	120	132	
	2 ^{1/2}	2 ^{1/2}		25.5					
	2	2		22.5					
	1 ^{1/2}	1 ^{1/2}		20.5					

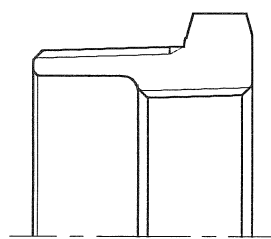
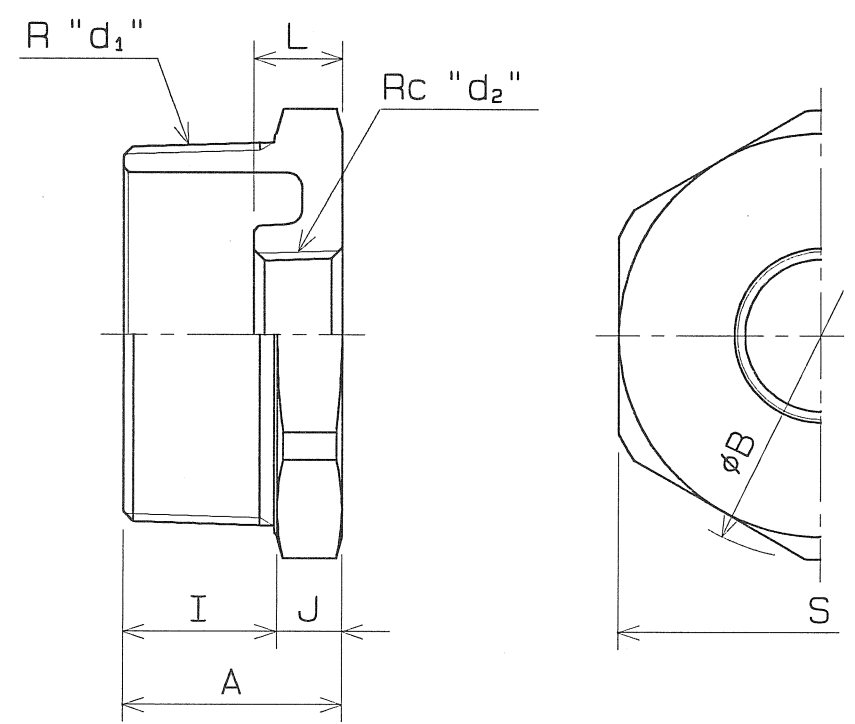
MATERIAL : SCS 13, SCS 14

SPEC.		TEST PRESSURE	
FLUID		SHELL	AIR 0.6 MPa (6.1 kgf/cm ²)
PRESS.	MPa (kgf/cm ²)	AIR	MPa (kgf/cm ²)
TEMP.	°C	AIR	MPa (kgf/cm ²)

PIPE THREADS CONFORM WITH "JIS B 0203"

NAME	HEXAGON BUSHING		
TYPE	-	SIZE	2 ^{1/2} ~ 4 B
DRG.No.	JADB-0038	APPROVED BY	<i>H. Jouno</i>
DATE	FEB. 8. 2005	CHECKED BY	<i>Chikhi da</i>
SCALE	:	DESIGNED BY	<i>R. Matsuki</i>
THIRD ANGLE PROJECTION METHOD	DRAWN BY		

O. N. INDUSTRIES LTD.



- SIZE
- 2^{1/2}X1^{1/4}
 - 2^{1/2}X1^{1/2}
 - 2^{1/2}X2
 - 3X2
 - 3X2^{1/2}
 - 4X2^{1/2}
 - 4X3

△		
△		
△		