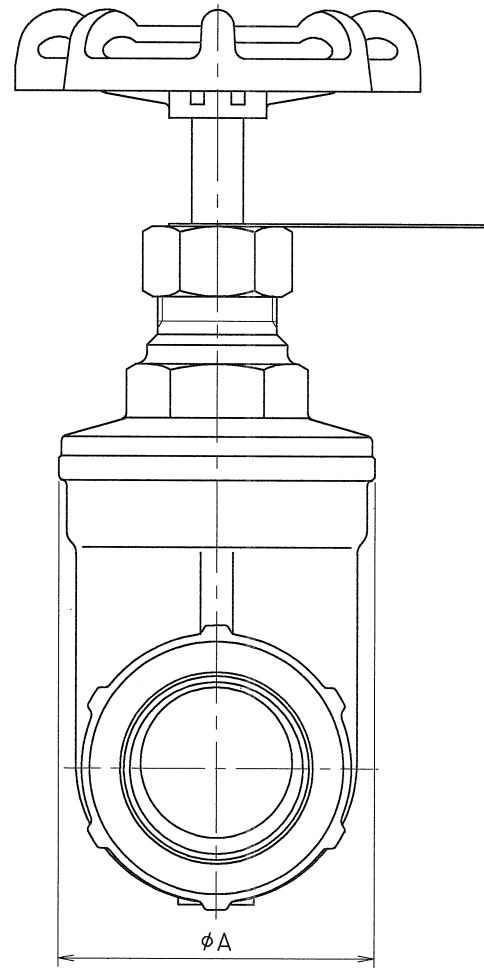
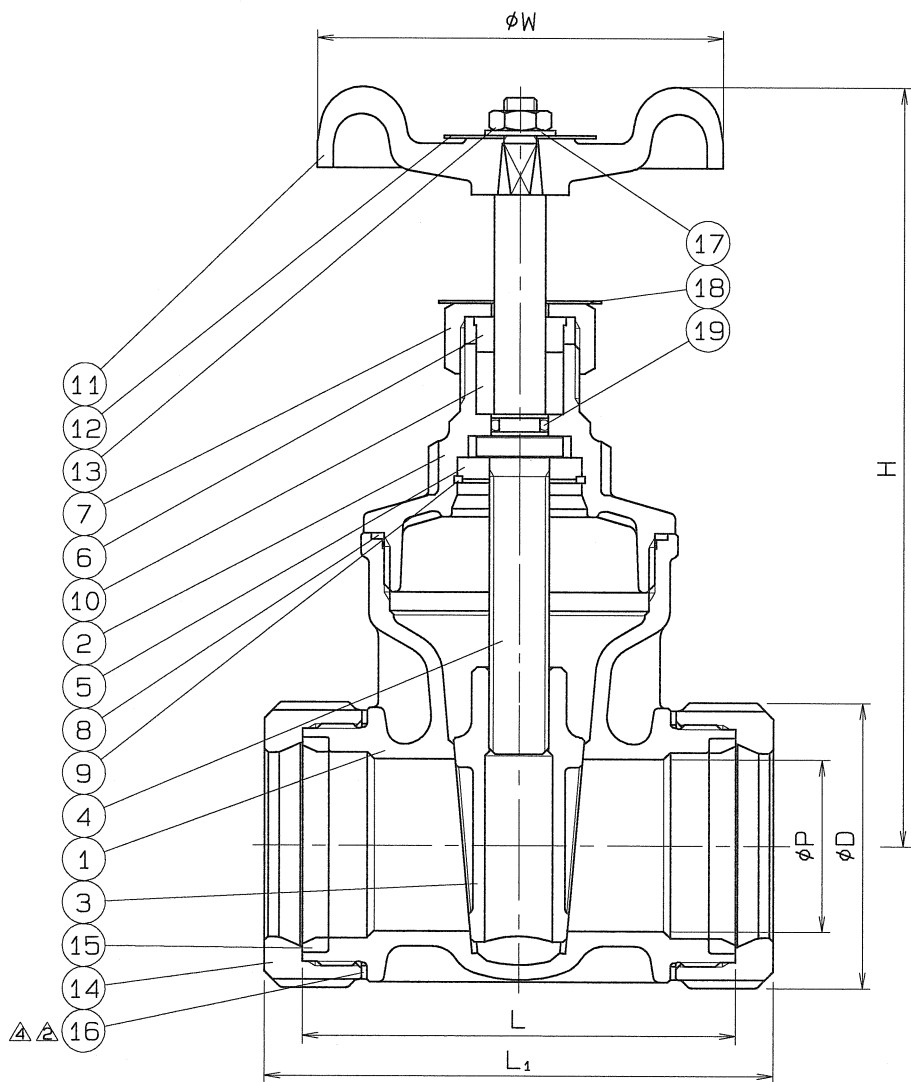


9500-SSV9 'ON' 9MO

SIZE	L ₁	L	P	D	H	W	A	Q.TY
30Su	94	80	32	53	143	75	58.5	
40Su	108	90	40	63	155	75	67	
50Su	120	100	46	71	182	95	79.5	
60Su	134	110	57.5	86	195	95	88	

A
B
C
D
E
F



SPEC.		TEST PRESS.	
FLUID		SHELL	HYDRO 3.5 MPa (35.7 kgf/cm ²)
△△ PRESS.	MAX 2.0 MPa (20.4 kgf/cm ²)	SEAT	AIR 0.6 MPa (6.1 kgf/cm ²)
△△ TEMP.	MAX 100 °C	AIR	MPa (kgf/cm ²)

△△	19	O RING	1	FKM	
	18	WARNING LABEL	1	PAPER	
	17	PLAIN WASHER	1	SUS 304	△
△△	16	CONICAL WASHER	2	JFE443CT	
	15	RUBER PACKING	2	SYNTHETIC RUBBER (HNBR)	
	14	NUT	2	SCS 13	
	13	HEXAGON NUT	1	SUS 304	
	12	NAME PLATE	1	A1050P	
	11	HAND WHEEL	1	FC 200	
	10	GLAND PACKING	1	ALAMIDE FIBER (V#B133)	
	9	STOP RING	1	SUS 304	
	8	GASKET	1	P.T.F.E.	
	7	GLAND NUT	1	SUS 304	
	6	GLAND	1	SUS 304	
	5	STEM HOLDER	1	SUS 304	
	4	STEM	1	SUS 304	
	3	DISC	1	SCS 13	
	2	BONNET	1	SCS 13	
	1	BODY	1	SCS 13	
No.	NAME OF PARTS		Q.TY	MATERIALS	REMARKS

△△	使用圧力, 使用温度追加	H24. 1. 13.
△△	検査圧力の変更	H23. 2. 9.
△△	皿ワッシャ材質変更 (30, 40, 60Su)	H22. 2. 10.
△△	平ワッシャサイズ追加	H21. 12. 1.
△△	皿ワッシャ材質変更 (50Su)	H21. 4. 6.

NAME NICE JOINT ENDS GATE VALVES

TYPE NJ-670 SIZE 30~60Su

DWG.No. GASS-0056 ⑥ APPROVED BY *R. Yamato*

DATE OCT. 18. 2001 CHECKED BY *Y. Nakano*

SCALE : DESIGNED BY -

THIRD ANGLE PROJECTION METHOD DRAWN BY *H. Sakai*

O. N. INDUSTRIES LTD.