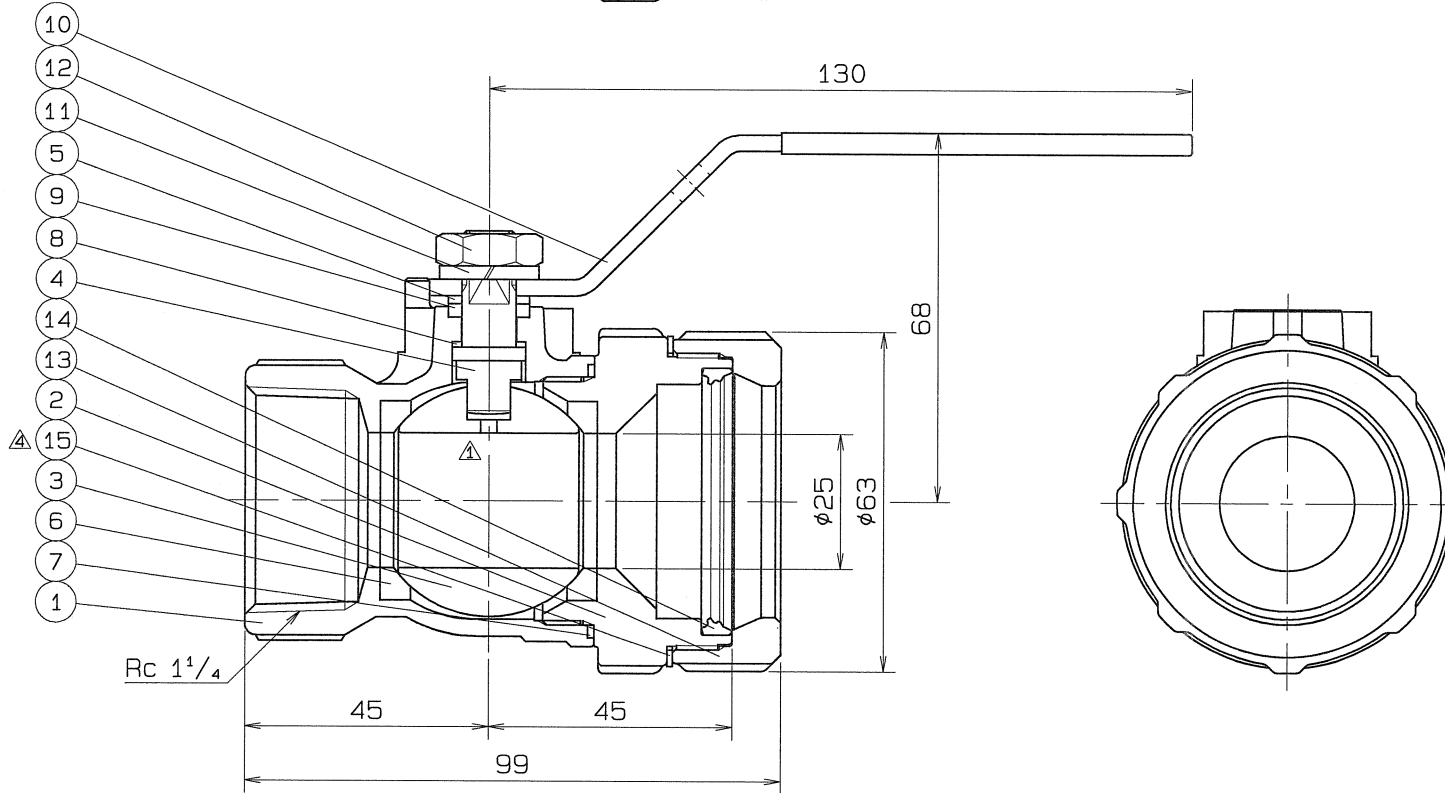


SPEC.		TEST PRESS.	
FLUID		SHELL	HYDRO 3.5 MPa (35.7 kgf/cm <sup>2</sup> )
△ PRESS.	MAX 2.0 MPa (20.4 kgf/cm <sup>2</sup> )	SEAT	AIR 0.6 MPa (6.1 kgf/cm <sup>2</sup> )
△ TEMP.	MAX 100℃	AIR	MPa ( kgf/cm <sup>2</sup> )



PIPE THREADS CONFORM WITH 'JIS B 0203'  
 △\*SPECIAL TEFLON

No.	NAME OF PARTS	Q. TY	MATERIALS	REMARKS
△ 15	CONICAL WASHER	1	JFE443CT	
14	RUBBER PACKING	1	SYNTHETIC RUBBER (HNBR)	
13	NUT	1	SCS 13	
12	HEXAGON NUT	1	SUS 304	
11	SPRING WASHER	1	SUS 304	
10	HANDLE	1	SUS 304	
9	THRUST BEARING	1	P.T.F.E.	CARBON FILLED
8	THRUST PACKING	1	P.T.F.E.	CARBON FILLED
7	GASKET PACKING	1	P.T.F.E.	
△ 6	BALL SEAT	2	P.T.F.E.	*
5	GLAND	1	SUS 316	
4	STEM	1	SUS 316	
△ 3	BALL DISC	1	SCS 13A	
2	BODY CAP	1	SCS 13	
1	BODY	1	SCS 13	

NAME	NICE JOINT AND SCREWED ENDS MINI BALL VALVES		
TYPE	NJ-610	SIZE	40 Su
DMG.No.	BAMS-0884	APPROVED BY	<i>H. Sakai</i>
DATE	NOV. 21. 2002.	CHECKED BY	<i>A. Sakai</i>
SCALE	:	DESIGNED BY	-
THIRD ANGLE PROJECTION METHOD		DRAWN BY	<i>H. Sakai</i>

△ 使用圧力、使用温度追加	H24. 1. 13.
△ 検査圧力の変更	H23. 2. 9.
△ 皿ワッシャ材質変更	H22. 2. 10.
△ ボールジスク材質変更	H19. 9. 6.