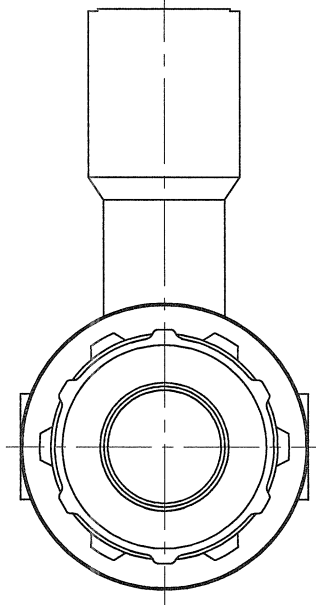
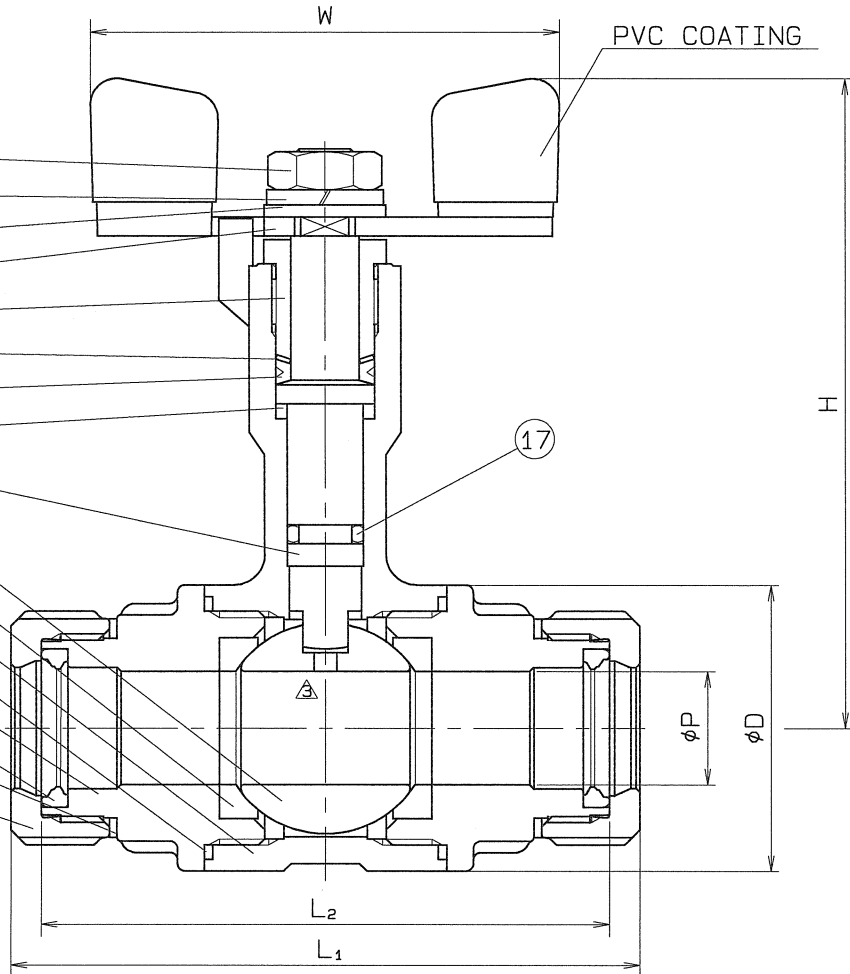
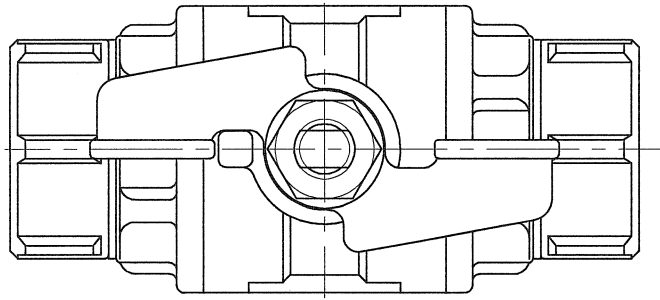


◆ Dwg. No. BAMS-0825

SIZE	P	L ₁	L ₂	H	W	D	Q, TY
13 Su	15	83	75	87	60	38	
20 Su	20	95	85	94	80	46.5	



SPEC.		TEST PRESS.	
FLUID		SHELL	HYDRO 3.5 MPa (35.7 kgf/cm ²)
△△ PRESS.	MAX 2.0 MPa (20.4 kgf/cm ²)	SEAT	AIR 0.6 MPa (6.1 kgf/cm ²)
△△ TEMP.	MAX 100°C	AIR	MPa (kgf/cm ²)

△*SPECIAL TEFLON

18	PLAIN WASHER	1	SUS 304	
17	O RING	1	VITON	
△△ 16	CONICAL WASHER	2	JFE443CT	
15	RUBBER PACKIG	2	SYNTHETIC RUBBER (HNBR)	
△ 14	NUT	2	SCS 13	
13	HEXAGON NUT	1	SUS 304	
12	SPRING WASHER	1	SUS 304	
11	HANDLE	1	SUS 304	
10	GLAND PACKING	1	P.T.F.E.	
9	BEARING	1	P.T.F.E.	CARBON FILLED
8	GASKET PACKING	2	P.T.F.E.	
△ 7	BALL SEAT	2	P.T.F.E.	*
6	WASHER	1	SUS 304CSP	
△ 5	GLAND BUSHING	1	SCS 13	
4	STEM	1	SUS 304	
△ 3	BALL DISC	1	SCS 13A	△
2	BODY CAP	2	SCS 13	
1	BODY	1	SCS 13	

No.	NAME OF PARTS	Q. TY	MATERIALS	REMARKS
NAME NICE JOINT ENDS FULL BORE LONG NECK TYPE MINI BALL VALVES				
TYPE		NJ-220	SIZE	13, 20Su
Dwg.No.		BAMS-0825	APPROVED BY <i>K. Suzuki</i>	
DATE		NOV. 5, 1999	CHECKED BY <i>M. Sakai</i>	
SCALE			DESIGNED BY	
THIRD ANGLE PROJECTION METHOD			DRAWN BY <i>M. Sakai</i>	

△△ 使用圧力, 使用温度追加	H24. 1. 13.
△△ 検査圧力の変更	H23. 2. 9.
△△ 皿ワッシャ材質変更	H22. 2. 10.

O. N. INDUSTRIES LTD.