

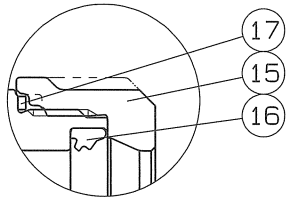
◇ Z200-SWBX '0N' DMG

NJSR

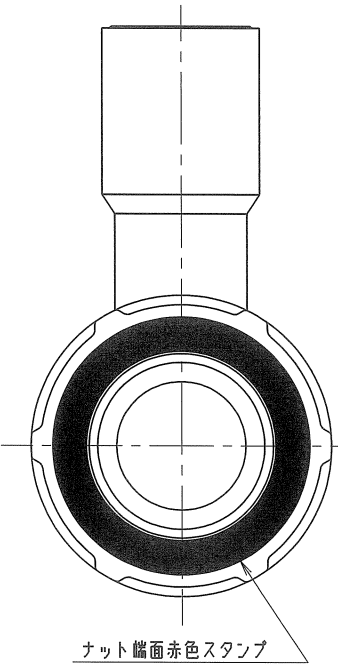
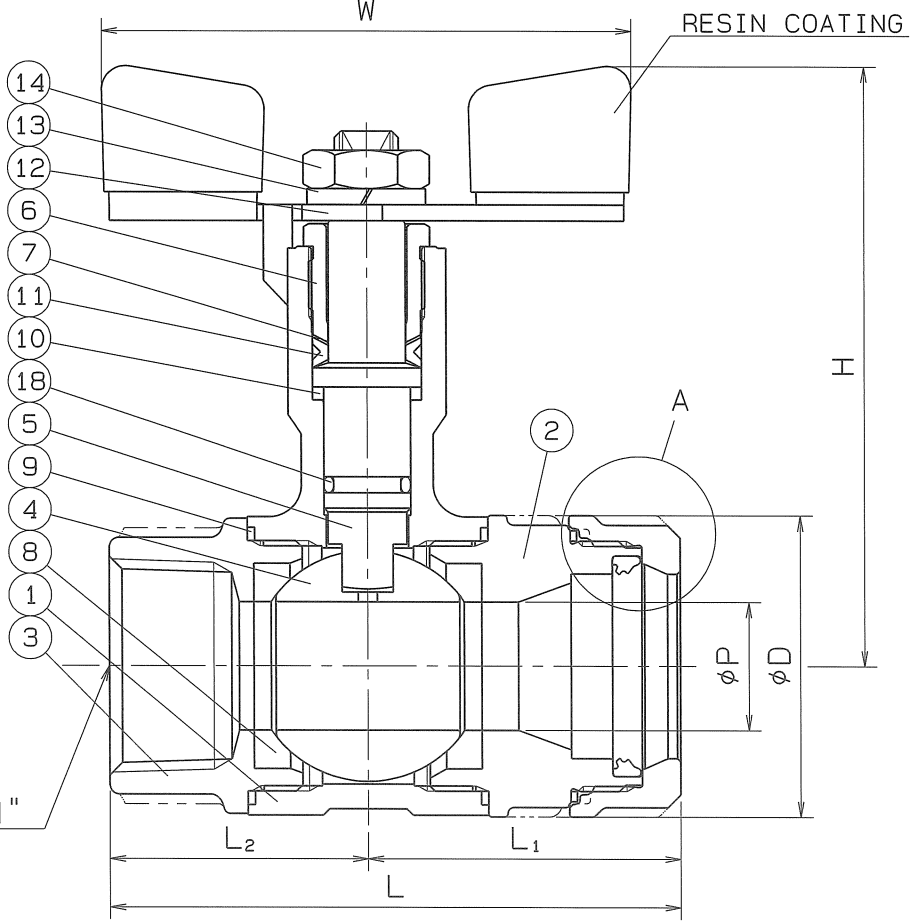
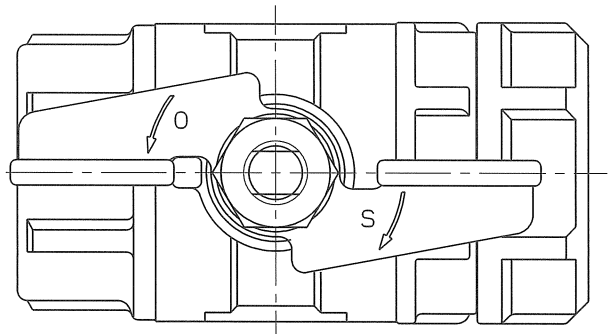
SIZE	d	P	L	L <sub>1</sub>	L <sub>2</sub>	H	W	D	Q, TY
20Sux3/4	Rc 3/4	15	80	45	35	87	60	38	
25Sux1	Rc 1	20	88.5	48.5	40	94	80	47	

A  
B  
C  
D  
E  
F

A  
B  
C  
D  
E  
F



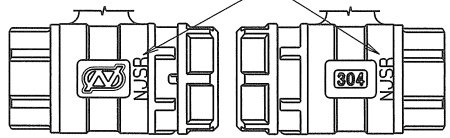
A部詳細図



ナット端面赤色スタンプ

SPEC.			TEST PRESS.		
FLUID			SHELL	HYDRO	3.5 MPa
PRESS.	MAX 2.0 MPa		SEAT	AIR	0.6 MPa
TEMP.	MAX 100 °C		AIR		MPa

"NJSR" 赤色スタンプ



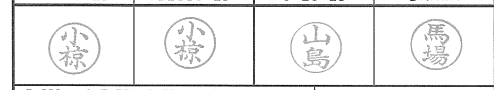
外観図

PIPE THREADS CONFORM WITH "JIS B 0203"

\*MODIFIED P.T.F.E.

No.	NAME OF PARTS	Q.TY	MATERIALS	REMARKS
18	O RING	1	FKM	
17	LOOSE STOPPER	1	SUS 304CSP	
16	RUBBER PACKIG	1	SYNTHETIC RUBBER (NJSR)	
15	RATCHET NUT	1	SCS 13	
14	HEXAGON NUT	1	SUS 304	
13	SPRING WASHER	1	SUS 304	
12	HANDLE	1	SUS 304	
11	GLAND PACKING	1	P.T.F.E.	
10	BEARING	1	P.T.F.E.	CARBON FILLED
9	GASKET PACKING	2	P.T.F.E.	
8	BALL SEAT	2	P.T.F.E.	*
7	WASHER	1	SUS 304CSP	
6	GLAND BUSHING	1	SCS 13	
5	STEM	1	SUS 304	
4	BALL DISC	1	SCS 13A	
3	BODY CAP (B)	1	SCS 13	Rc "d"
2	BODY CAP (A)	1	SCS 13	
1	BODY	1	SCS 13	

No.	NAME OF PARTS	Q.TY	MATERIALS	REMARKS
NAME	NICE JOINT AND SCREWED ENDS REDUCED BORE LONG NECK TYPE MINI BALL VALVES			
TYPE	NJX-202NF	SIZE	20, 25Su	
DMG.No.	XBAMS-0023◇	DATE	NOV. 6. 2023	
APPROVED	DESIGNED	CHECKED	DRAWN	



THIRD ANGLE PROJECTION METHOD SCALE :

**O. N. INDUSTRIES LTD.**

△		
△		
△		