

SIZE	P	L <sub>1</sub>	L <sub>2</sub>	H <sub>1</sub>	H <sub>2</sub>	W	D	Q, TY
13 Su	10	78	70	87	44	100	33	
20 Su	15	90	80	91	45	100	38	
25 Su	20	97	85	101	46	130	47	
30 Su	20	99	85	101	42	130	54	
40 Su	25	108	90	104	41	130	64	

NJSR

SPEC.		TEST PRESS.	
FLUID		SHELL	HYDRO 3.5 MPa
PRESS.	MAX 2.0 MPa	SEAT	AIR 0.6 MPa
TEMP.	MAX 100 °C	AIR	MPa

No.3 13Su MATERIAL : SUS 304  
\*MODIFIED P.T.F.E.

17	O RING	1	FKM	
16	LOOSE STOPPER	2	SUS 304CSP	
15	RUBBER PACKIG	2	SYNTHETIC RUBBER (NJSR)	
14	RATCHET NUT	2	SCS 13	
13	HEXAGON NUT	1	SUS 304	
12	SPRING WASHER	1	SUS 304	
11	HANDLE	1	SUS 304	
10	GLAND PACKING	1	P.T.F.E.	
9	BEARING	1	P.T.F.E.	CARBON FILLED
8	GASKET PACKING	2	P.T.F.E.	
7	BALL SEAT	2	P.T.F.E.	*
6	WASHER	1	SUS 304CSP	
5	GLAND BUSHING	1	SCS 13	
4	STEM	1	SUS 304	
3	BALL DISC	1	SCS 13A	
2	BODY CAP	2	SCS 13	
1	BODY	1	SCS 13	

No.	NAME OF PARTS	Q.TY	MATERIALS	REMARKS
NAME NICE JOINT ENDS REDUCED BORE LONG NECK TYPE MINI BALL VALVES				
TYPE NJX-200		SIZE 13~40Su		
Dwg.No. XBAMS-0019◇		DATE NOV. 6. 2023		
APPROVED	DESIGNED	CHECKED	DRAWN	

THIRD ANGLE PROJECTION METHOD SCALE :

小 小 山 馬

**O. N. INDUSTRIES LTD.**

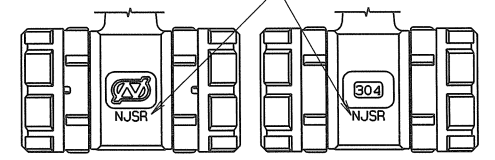
◇ 0200-SWBX 'ON' DMG

NJSR

SIZE	P	L <sub>1</sub>	L <sub>2</sub>	H <sub>1</sub>	H <sub>2</sub>	W	D	Q, TY
50 Su	32	125	105	119	41	170	72	
60 Su	40	139	115	125	40	170	87	

SPEC.		TEST PRESS.		
FLUID		SHELL	HYDRO	3.5 MPa
PRESS.	MAX 2.0 MPa	SEAT	AIR	0.6 MPa
TEMP.	MAX 100 °C		AIR	MPa

"NJSR" 赤色スタンプ

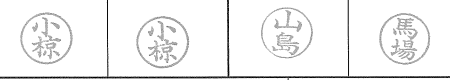


外観図

\*MODIFIED P.T.F.E.

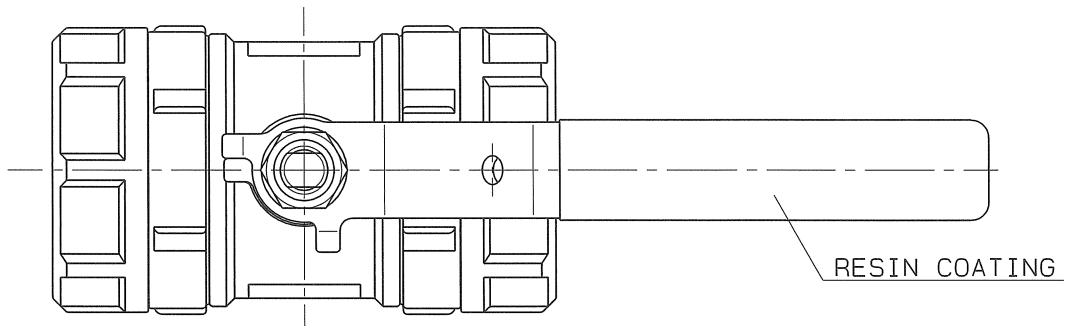
17	O RING	1	FKM	
16	LOOSE STOPPER	2	SUS 304CSP	
15	RUBBER PACKING	2	SYNTHETIC RUBBER (NJSR)	
14	RATCHET NUT	2	SCS 13	
13	HEXAGON NUT	1	SUS 304	
12	SPRING WASHER	1	SUS 304	
11	HANDLE	1	SUS 304	
10	GLAND PACKING	1	P.T.F.E.	
9	BEARING	1	P.T.F.E.	CARBON FILLED
8	GASKET PACKING	2	P.T.F.E.	
7	BALL SEAT	2	P.T.F.E.	*
6	WASHER	1	SUS 304CSP	
5	GLAND BUSHING	1	SUS 304	
4	STEM	1	SUS 304	
3	BALL DISC	1	SCS 13A	
2	BODY CAP	2	SCS 13	
1	BODY	1	SCS 13	

No.	NAME OF PARTS	Q.TY	MATERIALS	REMARKS
NAME NICE JOINT ENDS REDUCED BORE LONG NECK TYPE MINI BALL VALVES				
TYPE NJX-200		SIZE 50, 60Su		
DMG.No. XBAMS-0020◇		DATE NOV. 6, 2023		
APPROVED	DESIGNED	CHECKED	DRAWN	

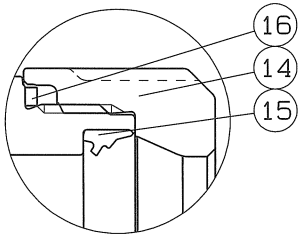


THIRD ANGLE PROJECTION METHOD SCALE :

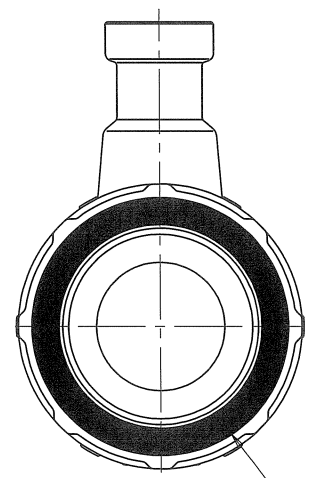
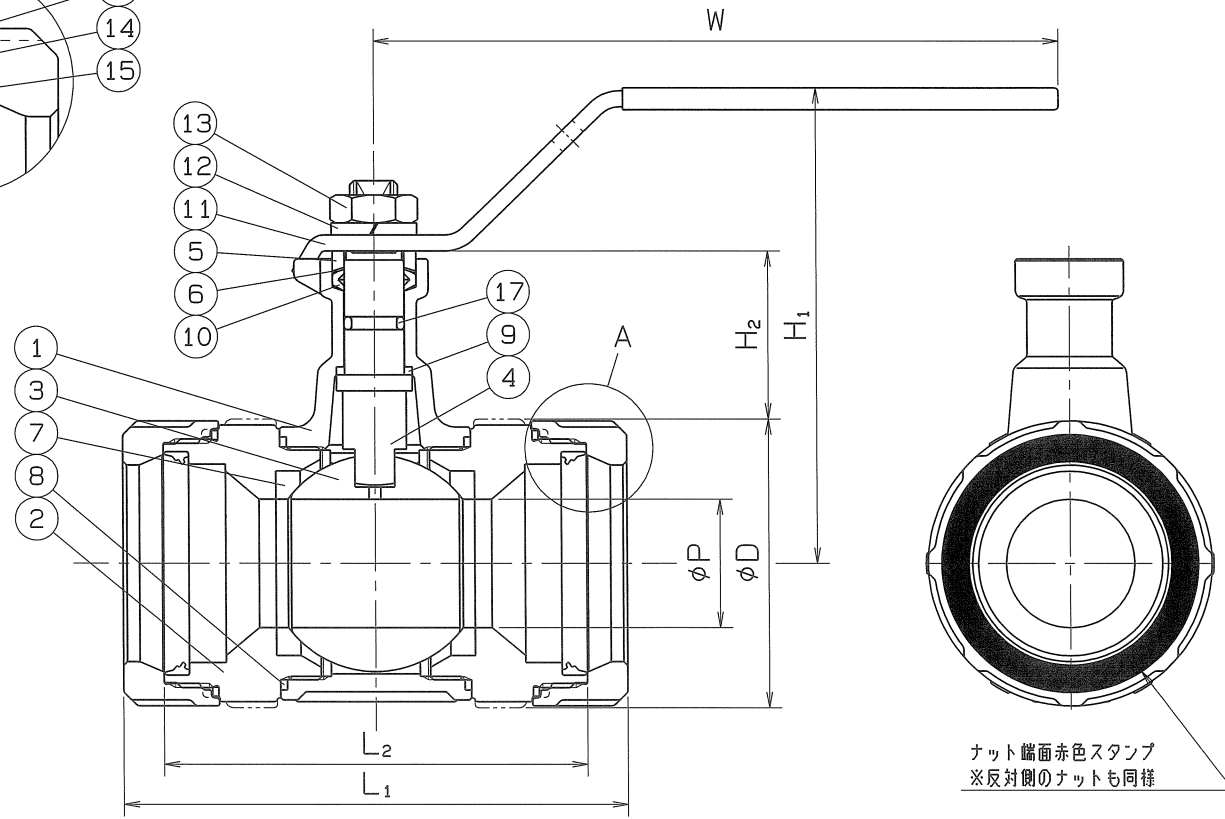
**O. N. INDUSTRIES LTD.**



RESIN COATING



A部詳細図



ナット端面赤色スタンプ  
※反対側のナットも同様

△		
△		
△		