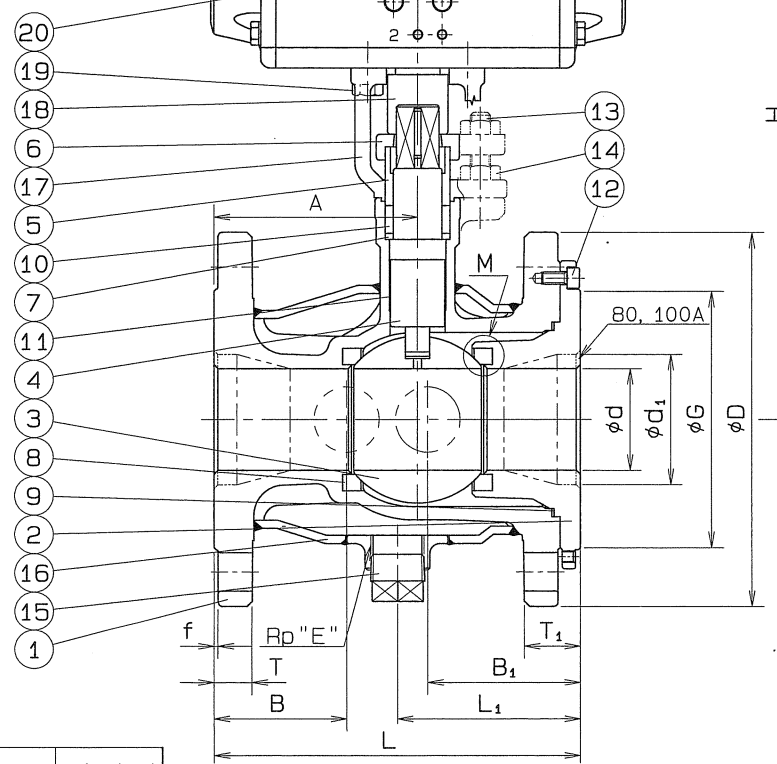
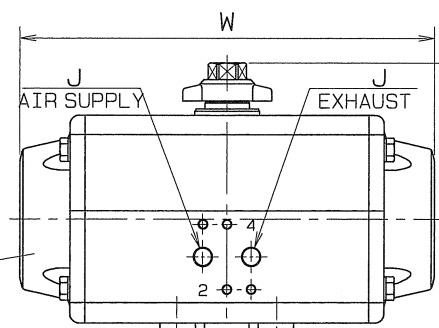
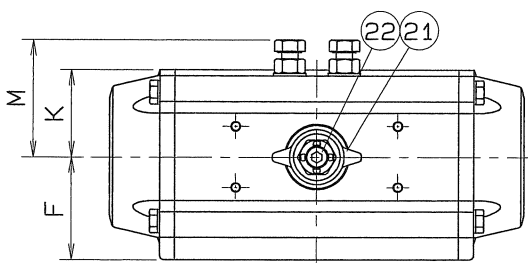


◇ DWG. NO. BAAS-5220

SIZE	d	d ₁	L	L ₁	D	T	T ₁	G	f	BOLT HOLE C	n	h	A	B	B ₁	E	E ₁	FLANGE SIZE	H	W	F	K	J	M	CYLINDER SIZE	Q, TY
15	15	-	110	59.5	140	16	25.5	81	2	105	4	19	50.5	50.5	59.5	1/2	3/4	40	214	135.5	42	29	G1/8	43	AT051US4	
20	20	-	120	64.5	140	16	25.5	81	2	105	4	19	55.5	55.5	64.5	1/2	3/4	40	234	153.5	48.5	36	G1/8	50	AT101US08	
25	25	-	130	69.5	155	16	25.5	96	2	120	4	19	60.5	60.5	69.5	1/2	3/4	50	237	153.5	48.5	36	G1/8	50	AT101US08	
40	40	-	165	82.5	175	18	27.5	116	2	140	4	19	90	65	75	3/4	3/4	65	292	241	56.5	49.5	G1/8	65	AT251US08	
50	50	-	180	90	185	18	27.5	126	2	150	8	19	100	65	75	3/4	3/4	80	326	259	63	55.5	G1/4	76	AT301US08	
65	65	-	190	95	210	18	30.5	151	2	175	8	19	102	65	78	3/4	3/4	100	377	333	77	69.5	G1/4	93	AT401US08	
80	65	80	200	100	210	18	30.5	151	2	175	8	19	112	65	78	3/4	3/4	100	377	333	77	69.5	G1/4	93	AT401US08	
100	80	100	230	115	280	22	37.5	212	2	240	8	23	128	65	81	3/4	3/4	150	433	333	77	69.5	G1/4	93	AT401US08	



SPEC.		TEST PRESSURE	
FLUID	清水	SHELL	HYDRO 2.1 MPa (21.4kgf/cm ²)
PRESS.	0.98 MPa (10 kgf/cm ²) 以下	SEAT	AIR 0.6 MPa (6.1kgf/cm ²)
TEMP.	常温	JACKET	AIR 0.6 MPa (6.1kgf/cm ²)

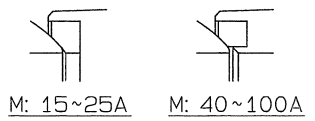
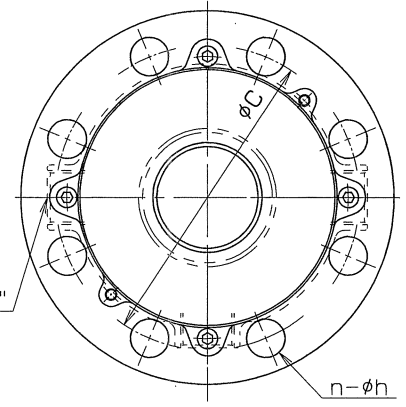
注) 上記の流体条件と異なる場合
シリンダサイズが変更になる場合があります。

OPERATION
PORT2 AIR SUPPLY : LEFT TURN - VALVE OPEN
PORT2 AIR FAILURE : RIGHT TURN - VALVE SHUT

TORQUE CYLINDER			
TYPE	ATUS		
ACTION	SINGLE	OPERATION PROPERTY	ON-OFF
SUPPLY PRESSURE	0.39 MPa (4 kgf/cm ²)	HAND DEVICE	NOTHING

END FLANGED : JIS B 2220

22	CAP HEAD BOLT	1	SUS 304	
21	INDICATOR	1	SCS 13	
20	TORQUE CYLINDER	1		
19	HEXAGON BOLT	4	SUS 304	
18	COUPLING	1	SCS 13	
17	BRACKET	1	SCS 13	
16	JACKET		SCS 13A	
15	DRAIN PLUG	1	SCS 13	R'E"
14	HEXAGON NUT	4	SUS 304	
13	GLAND BOLT	2	SUS 304	
12	SOCKET BOLT	4	SUS 304	
11	BEARING	1	P. T. F. E.	+SUS 316
10	GLAND PACKING	1SET	P. T. F. E.	CARBON FILLED
9	GASKET PACKING	1	P. T. F. E.	CARBON FILLED
8	BALL SEAT	2	P. T. F. E.	GLASS FILLED
7	THRUST RING	1	SUS 329J1	
6	GLAND	1	SCS 13	
5	GLAND SLEEVE	1	SUS 316	
4	STEM	1	SUS 316	
3	BALL DISC	1	SCS 14A	
2	SEAT HOLDER	1	SCS 14A	
1	BODY	1	SCS 14A	



No.	NAME OF PARTS	Q. TY	MATERIALS	REMARKS
NAME	JIS 10K R.F. FLANGED ENDS TORQUE CYLINDER OPE. JACKET TYPE STRAIGHT WAY BALL VALVES			
TYPE	N-7017HYS2	SIZE	15~100A	
DWG. No.	BAAS-5220	APPROVED BY	K. Yameto	
DATE	APR. 7. 2011.	CHECKED BY	H. Adachi	
SCALE		DESIGNED BY		
THIRD ANGLE PROJECTION METHOD		DRAWN BY	H. Miura	

O. N. INDUSTRIES LTD.