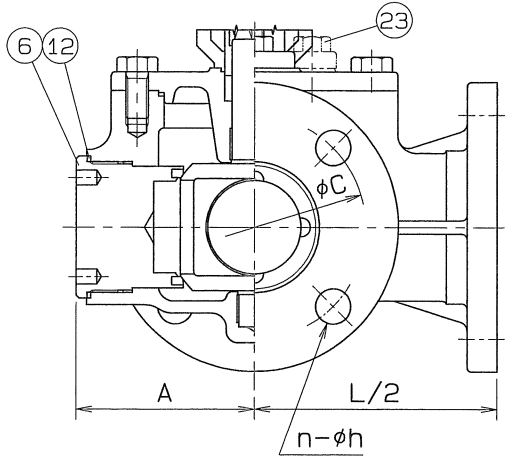
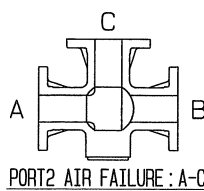
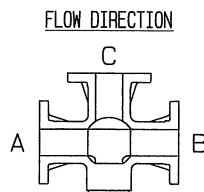


SIZE	BOLT HOLE			A	H	W	F	K	J	M	CYLINDER SIZE	Q, TY				
	d	L	D										C	n	h	
20	20	150	100	14	75	4	15	58	208	153.5	48.5	36	G1/8	50	AT101US08	
25	25	165	125	14	90	4	19	58	230	203.5	50.5	42.5	G1/8	60	AT201US08	
40	40	250	140	16	105	4	19	81	283	259	63	55.5	G1/4	76	AT301US08	
50	50	260	155	16	120	4	19	95	346	333	77	69.5	G1/4	93	AT401US08	
65	65	300	175	18	140	4	19	98	354	333	77	69.5	G1/4	93	AT401US08	
80	80	320	185	18	150	8	19	116	441	422.5	93	88	G1/4	110	AT501US08	

SPEC.		TEST PRESS.	
FLUID	清水	SHELL	HYDRO 2.1 MPa (21.4kgf/cm <sup>2</sup> )
PRESS.	0.98 MPa (10 kgf/cm <sup>2</sup> ) 以下	SEAT	AIR 0.6 MPa (6.1kgf/cm <sup>2</sup> )
TEMP.	常温		AIR ( MPa kgf/cm <sup>2</sup> )

注) 上記の流体条件と異なる場合  
シリンダサイズが変更になる場合があります。

TORQUE CYLINDER			
TYPE	ATUS08		
ACTION	SINGLE	OPERATION PROPERTY	ON-OFF
SUPPLY PRESSURE	0.39 MPa (4 kgf/cm <sup>2</sup> )	HAND DEVICE	NOTHING



END FLANGED: JIS B 2220

No.	NAME OF PARTS	Q. TY	MATERIALS	REMARKS
25	CAP HEAD BOLT	1	SUS 304	
24	INDICATOR	1	SCS 13	
*23	HEXAGON BOLT	2	SUS 304	*EXCEPT 20-65A
22	TORQUE CYLINDER	1		
21	HEXAGON BOLT	4	SUS 304	
20	COUPLING	1	SCS 13	
19	BRACKET	1	SCS 13	
18	HEXAGON NUT	4	SUS 304	
17	GLAND BOLT	2	SUS 304	
16	COVER BOLT	*4	SUS 304	*65-80A 6
15	BEARING	1	P. T. F. E.	SUS316 FILLED
14	BEARING	1	P. T. F. E.	SUS316 FILLED
13	O'RING	3	VITON	
12	GASKET PACKING	1	P. T. F. E.	
11	COVER PACKING	1	P. T. F. E.	
10	GLAND PACKING	1SET	P. T. F. E.	
9	BALL SEAT	4	P. T. F. E.	
8	GLAND	1	SCS 13	
7	GLAND SLEEVE	1	SUS 316	
6	SEAT HOLDER (C)	1	SUS 316	
5	SEAT HOLDER (B)	3	SUS 316	
4	SEAT HOLDER (A)	3	SUS 316	
3	BALL DISC	1	SCS 14A	
2	BODY COVER	1	SCS 14A	
1	BODY	1	SCS 14A	

NAME	JIS 10K FLANGED ENDS TORQUE CYLINDER OPE. THREE WAY BALL VALVE		
TYPE	N-737T-HYS2	SIZE	20~80A
DMG.No.	BAAS-5214	APPROVED BY	K. Tamoto
DATE	APR. 7, 2011	CHECKED BY	A. Kishida
SCALE	:	DESIGNED BY	
THIRD ANGLE PROJECTION METHOD		DRAWN BY	H. Miura

**O. N. INDUSTRIES LTD.**