

SIZE	P	L	PIPE THREADS	H	D	Q, TY
			d			
1-1/2	32	100	Rc 1-1/2	206	67	
2	40	120	Rc 2	212	80	

SPEC.		TEST PRESS.	
FLUID	清水	SHELL	HYDRO 2.1 MPa (21.4kgf/cm ²)
PRESS.	0.98 MPa (10 kgf/cm ²) 以下	SEAT	AIR 0.6 MPa (6.1kgf/cm ²)
TEMP.	常温		AIR MPa (kgf/cm ²)

注) 上記の流体条件と異なる場合
シリンダサイズが変更になる場合があります。

TORQUE CYLINDER

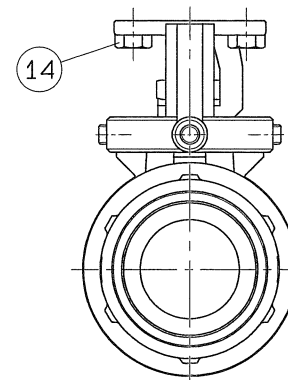
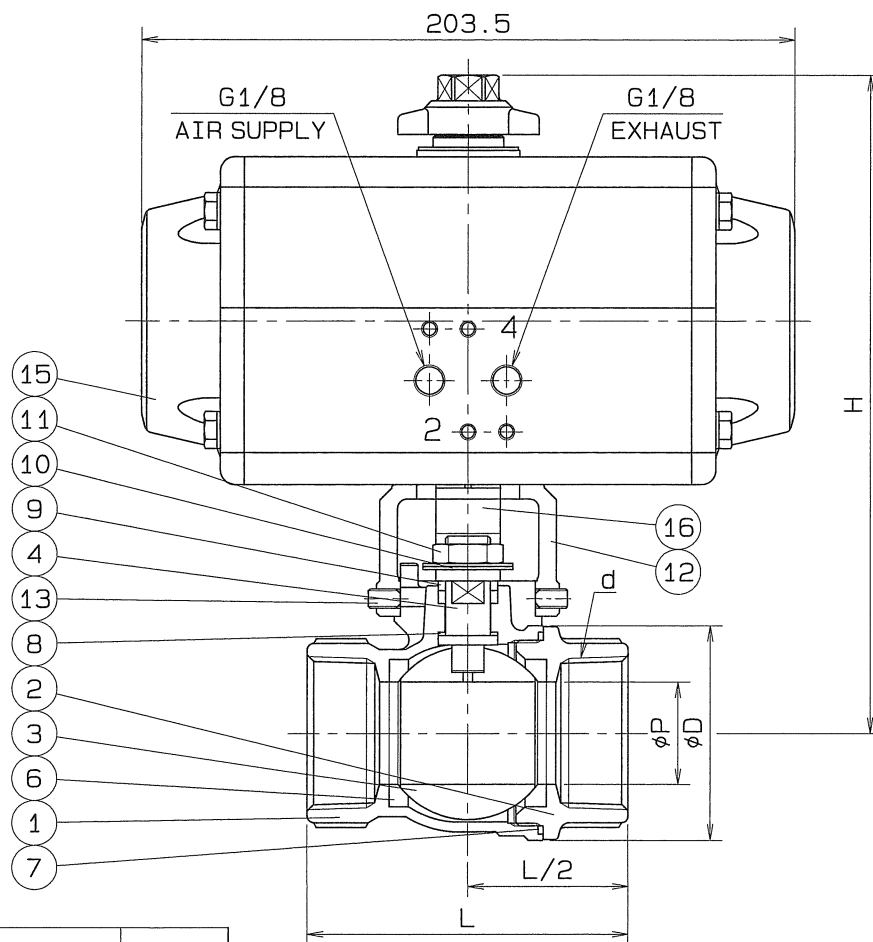
TYPE	AT201US08		
ACTION	SINGLE	OPERATION PROPERTY	ON-OFF
SUPPLY PRESSURE	0.39 MPa (4 kgf/cm ²)	HAND DEVICE	NOTHING

OPERATION

PORT2 AIR SUPPLY : LEFT TURN - VALVE OPEN
PORT2 AIR FAILURE : RIGHT TURN - VALVE SHUT

PIPE THREADS CONFORM WITH 'JIS B 0203' TAPER

No.	NAME OF PARTS	Q. TY	MATERIALS	REMARKS
18	CAP HEAD BOLT	1	SUS 304	
17	INDICATOR	1	SCS 13	
16	COUPLING	1	SCS 13	
15	TORQUE CYLINDER	1		
14	CAP HEAD BOLT	4	SUS 304	
13	SET BOLT	4	SUS 304	
12	BRACKET	1	SCS 13	
11	HEXAGON NUT	1	SUS 304	
10	CONICAL WASHER	2	SUS 304	
9	GLAND PACKING	1	P.T.F.E.	
8	THRUST PACKING	1	P.T.F.E.	CARBON FILLED
7	GASKET PACKING	1	P.T.F.E.	
6	BALL SEAT	2	P.T.F.E.	
5	GLAND	1	SUS 316	
4	STEM	1	SUS 316	
3	BALL DISC	1	SCS 14A	
2	BODY CAP	1	SCS 14	
1	BODY	1	SCS 14	



No.	NAME OF PARTS	Q. TY	MATERIALS	REMARKS
NAME	JIS10K SCREWED ENDS (SINGLE ACTION) CYLINDER OPERATED MINI BALL VALVES			
TYPE	N-610HYS2	SIZE	1-1/2, 2B	
DWG.No.	BAAS-5185	APPROVED BY	K. Yamato	
DATE	APR. 7, 2011	CHECKED BY	H. Ashikawa	
SCALE	:	DESIGNED BY	-	
THIRD ANGLE PROJECTION METHOD	DRAWN BY H. Miura			

O. N. INDUSTRIES LTD.