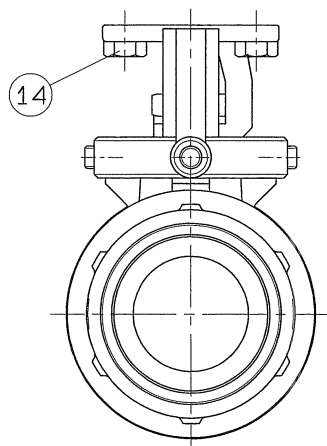
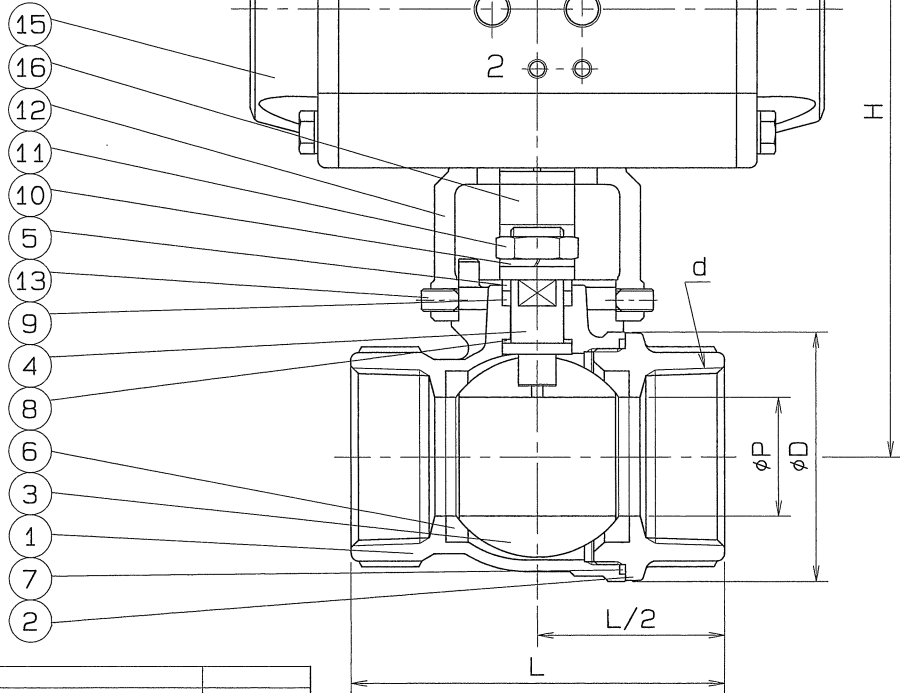
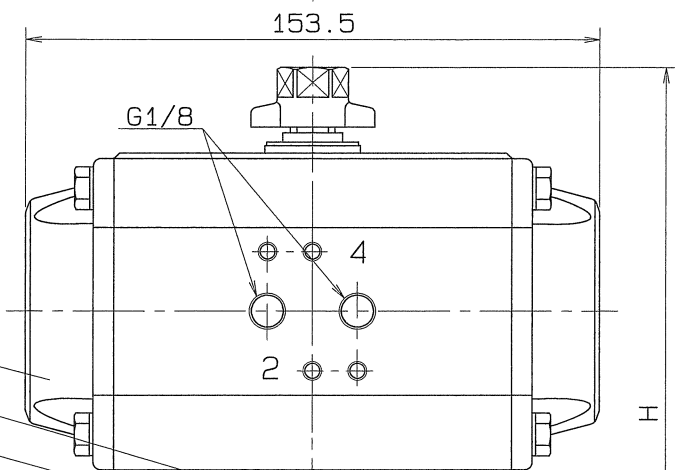
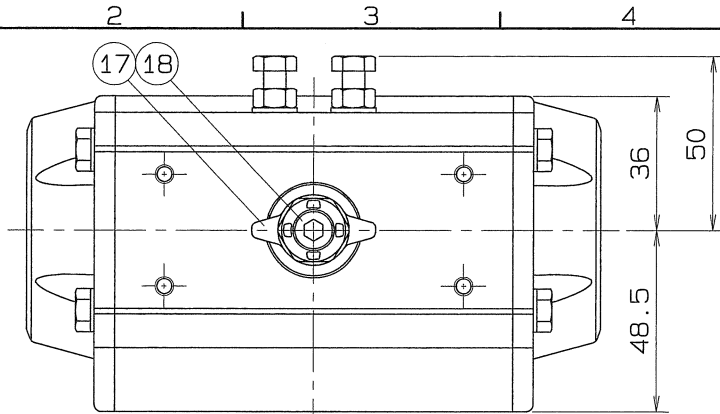


◇ 9195-5448 : ON : ONO
 ◇ BAAS-5163



SIZE	P	L	PIPE THREADS	H	D	Q, TY
			d			
1-1/2	32	100	Rc 1-1/2	187	67	
2	40	120	Rc 2	193	80	

SPEC.		TEST PRESS.	
FLUID	清水	SHELL	2.1 MPa HYDRO (21.4kgf/cm ²)
PRESS.	0.98 MPa (10 kgf/cm ²) 以下	SEAT	0.6 MPa AIR (6.1kgf/cm ²)
TEMP.	常温		MPa AIR (kgf/cm ²)

注) 上記の流体条件と異なる場合
 シリンダサイズが変更になる場合が
 あります。

TORQUE CYLINDER			
TYPE	AT101UD		
ACTION	DOUBLE	OPERATION PROPERTY	ON-OFF
SUPPLY PRESSURE	0.39 MPa (4 kgf/cm ²)	HAND DEVICE	NOTHING

OPERATION
 PORT2 AIR SUPPLY : LEFT TURN - VALVE OPEN
 PORT4 AIR SUPPLY : RIGHT TURN - VALVE SHUT

PIPE THREADS CONFORM WITH 'JIS B 0203' TAPER

18	CAP HEAD BOLT	1	SUS 304	
17	INDICATOR	1	SCS 13	
16	COUPLING	1	SCS 13	
15	TORQUE CYLINDER	1		
14	CAP HEAD BOLT	4	SUS 304	
13	SET BOLT	4	SUS 304	
12	BRACKET	1	SCS 13	
11	HEXAGON NUT	1	SUS 304	
10	CONICAL WASHER	2	SUS 304	
9	GLAND PACKING	1	P.T.F.E.	
8	THRUST PACKING	1	P.T.F.E.	CARBON FILLED
7	GASKET PACKING	1	P.T.F.E.	
6	BALL SEAT	2	P.T.F.E.	
5	GLAND	1	SUS 316	
4	STEM	1	SUS 316	
3	BALL DISC	1	SCS 14A	
2	BODY CAP	1	SCS 14	
1	BODY	1	SCS 14	

No.	NAME OF PARTS	Q. TY	MATERIALS	REMARKS
NAME	JIS10K SCREWED ENDS (DOUBLE ACTION) CYLINDER OPERATED MINI BALL VALVES			
TYPE	N-610HY2	SIZE	1-1/2, 2B	
DWG.No.	BAAS-5163 ◇	APPROVED BY	K. Yano	
DATE	FEB. 21, 2011	CHECKED BY	H. Miura	
SCALE	:	DESIGNED BY		
THIRD ANGLE PROJECTION METHOD		DRAWN BY	H. Miura	

O. N. INDUSTRIES LTD.