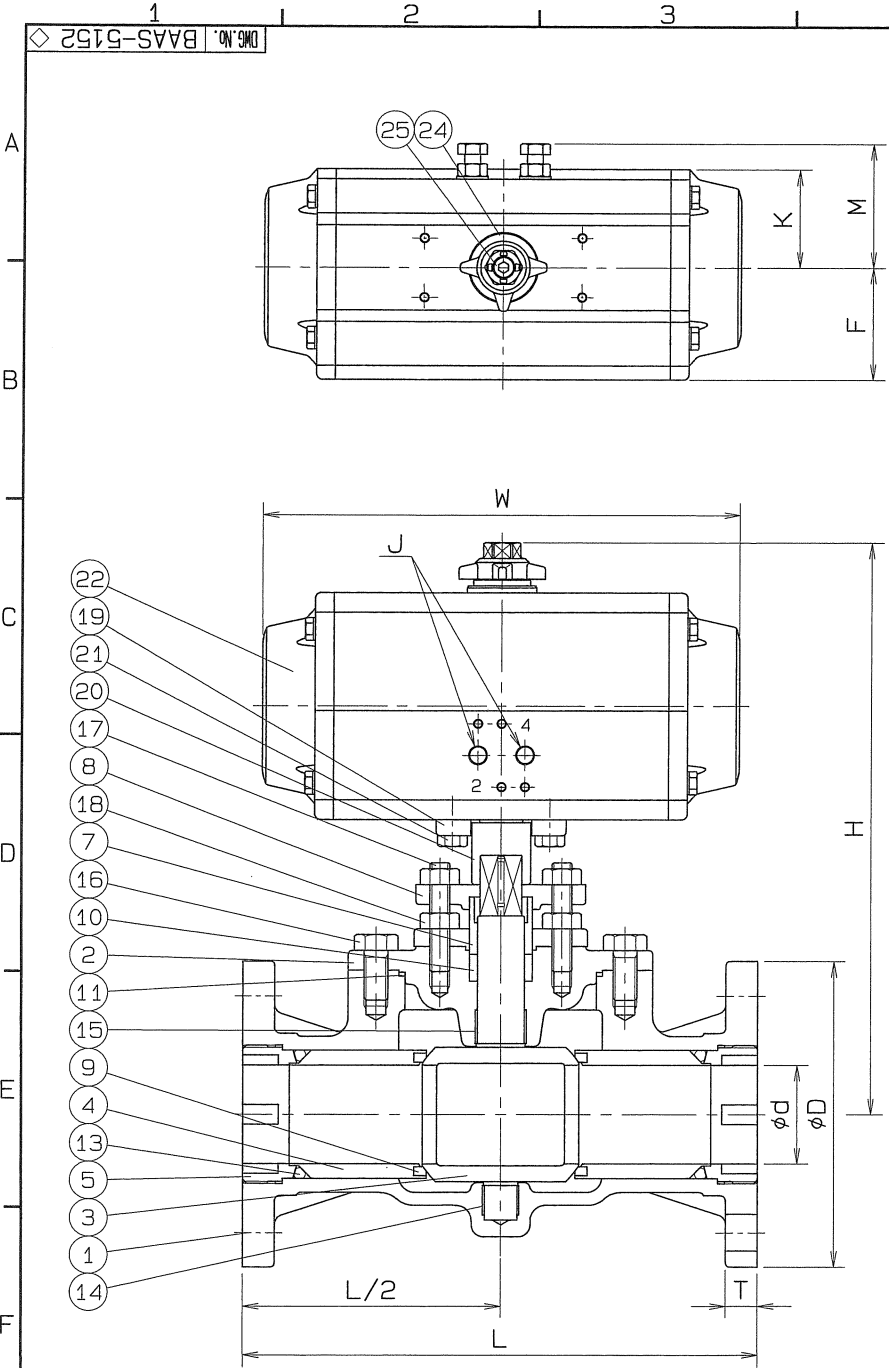


◇ DWG.No. BAAS-5152

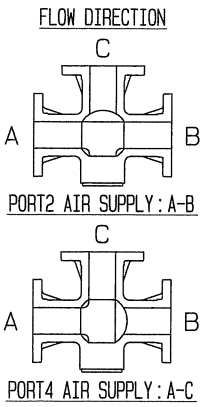


SIZE	d	L	D	T	BOLT HOLE			A	H	W	F	K	M	J	CYLINDER SIZE	Q, TY
					C	n	h									
20	20	150	100	14	75	4	15	58	192	135.5	42	29	43	G1/8	AT051UD	
25	25	165	125	14	90	4	19	58	211	153.5	48.5	36	50	G1/8	AT101UD	
40	40	250	140	16	105	4	19	81	258	203.5	50.5	42.5	60	G1/8	AT201UD	
50	50	260	155	16	120	4	19	95	290	241	56.5	49.5	65	G1/8	AT251UD	
65	65	300	175	18	140	4	19	98	310	259	63	55.5	76	G1/4	AT301UD	
80	80	320	185	18	150	8	19	116	380	333	77	69.5	93	G1/4	AT401UD	
100	100	370	210	18	175	8	19	131	393	333	77	69.5	93	G1/4	AT401UD	

SPEC.		TEST PRESS.	
FLUID	清水	SHELL	HYDRO 2.1 MPa (21.4kgf/cm ²)
PRESS.	0.98 MPa (10 kgf/cm ²) 以下	SEAT	AIR 0.6 MPa (6.1kgf/cm ²)
TEMP.	常温		AIR (MPa kgf/cm ²)

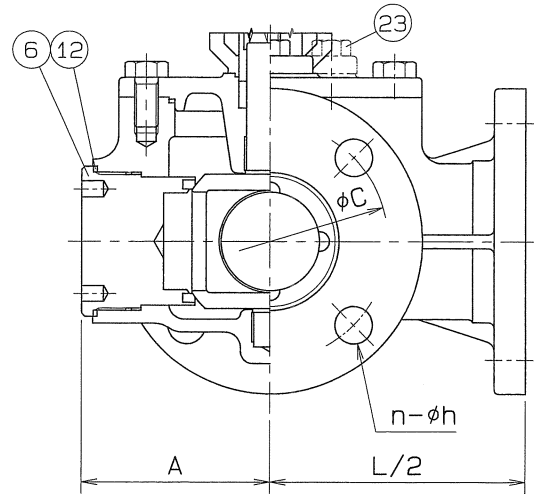
注) 上記の流体条件と異なる場合
シリンダサイズが変更になる場合があります。

TORQUE CYLINDER			
TYPE	ATUD		
ACTION	DOUBLE	OPERATION PROPERTY	ON-OFF
SUPPLY PRESSURE	0.39 MPa (4 kgf/cm ²)	HAND DEVICE	NOTHING



END FLANGED: JIS B 2220

No.	NAME OF PARTS	Q. TY	MATERIALS	REMARKS
25	CAP HEAD BOLT	1	SUS 304	
24	INDICATOR	1	SCS 13	
*23	HEXAGON BOLT	2	SUS 304	*EXCEPT 20-65A
22	TORQUE CYLINDER	1		
21	HEXAGON BOLT	4	SUS 304	
20	COUPLING	1	SCS 13	
19	BRACKET	1	SCS 13	
18	HEXAGON NUT	4	SUS 304	
17	GLAND BOLT	2	SUS 304	
16	COVER BOLT	*4	SUS 304	*65-100A 6
15	BEARING	1	P.T.F.E.	SUS316 FILLED
14	BEARING	1	P.T.F.E.	SUS316 FILLED
13	O-RING	3	VITON	
12	GASKET PACKING	1	P.T.F.E.	
11	COVER PACKING	1	P.T.F.E.	
10	GLAND PACKING	1SET	P.T.F.E.	
9	BALL SEAT	4	P.T.F.E.	
8	GLAND	1	SCS 13	
7	GLAND SLEEVE	1	SUS 316	
6	SEAT HOLDER (C)	1	SUS 316	
5	SEAT HOLDER (B)	3	SUS 316	
4	SEAT HOLDER (A)	3	SUS 316	
3	BALL DISC	1	SCS 14A	
2	BODY COVER	1	SCS 14A	
1	BODY	1	SCS 14A	



JIS 10K F.F. FLANGED ENDS			
NAME	TORQUE CYLINDER OPE. THREE WAY BALL VALVE		
TYPE	N-737T-HY2	SIZE	20~100A
DWG.No.	BAAS-5152	APPROVED BY	<i>K. Xuneto</i>
DATE	FEB. 21. 2011	CHECKED BY	<i>H. Miura</i>
SCALE		DESIGNED BY	
THIRD ANGLE PROJECTION METHOD		DRAWN BY	<i>H. Miura</i>
O. N. INDUSTRIES LTD.			