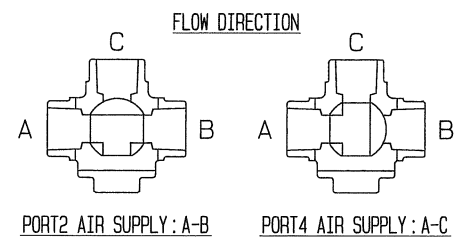


SIZE	P	L	PIPE THREADS			CYLINDER SIZE	Q, TY
			d	A	B		
1/2	10	75	Rc 1/2	39	19	179	AT051UD
3/4	15	85	Rc 3/4	43	23	183	AT051UD

SPEC.		TEST PRESSURE	
FLUID	清水	SHELL	HYDRO 2.1 MPa (21.4kgf/cm ²)
PRESS.	0.98 MPa (10 kgf/cm ²) 以下	SEAT	AIR 0.6 MPa (6.1kgf/cm ²)
TEMP.	常温	AIR	(kgf/cm ²) MPa

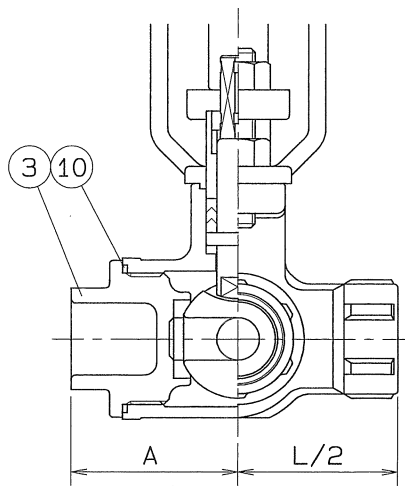
注) 上記の流体条件と異なる場合
シリンダサイズが変更になる場合があります。



TORQUE CYLINDER			
TYPE	ATUD		
ACTION	DOUBLE	OPERATION PROPERTY	ON-OFF
SUPPLY PRESSURE	0.39 MPa (4 kgf/cm ²)	HAND DEVICE	NOTHING

PIPE THREADS CONFORM WITH "JIS B 0203"

No.	NAME OF PARTS	Q. TY	MATERIALS	REMARKS
21	CAP HEAD BOLT	1	SUS 304	
20	INDICATOR	1	SCS 13	
19	TORQUE CYLINDER	1		
18	HEXAGON BOLT	4	SUS 304	
17	COUPLING	1	SCS 13	
16	BRACKET	1	SCS 13	
15	HEXAGON NUT	4	SUS 304	
14	GLAND BOLT	2	SUS 304	
13	STEM BEARING	1	P. T. F. E.	GLASS FILLED
12	GLAND PACKING	1	P. T. F. E.	
11	THRUST BEARING	1	P. T. F. E.	GLASS FILLED
10	GASKET PACKING	1	P. T. F. E.	
9	GASKET PACKING	2	P. T. F. E.	
8	BALL SEAT	4	P. T. F. E.	
7	GLAND	1	SCS 13	
6	GLAND SLEEVE	1	SUS 316	
5	STEM	1	SUS 316	
4	BALL DISC	1	SUS 316	
3	BLIND CAP	1	SCS 14	
2	BODY CAP	2	SCS 14	
1	BODY	1	SCS 14	



No.	NAME OF PARTS	Q. TY	MATERIALS	REMARKS
NAME JIS 10K SCREWED ENDS TORQUE CYLINDER OPE. THREE WAY BALL VALVES				
TYPE	N-730T-HY2	SIZE	1/2, 3/4B	
DWG. No.	BAAS-5140	APPROVED BY	<i>K. Tani</i>	
DATE	FEB. 18. 2011	CHECKED BY	<i>An. Adachi</i>	
SCALE	:	DESIGNED BY	—	
THIRD ANGLE PROJECTION METHOD	DRAWN BY <i>H. Miura</i>			

O. N. INDUSTRIES LTD.