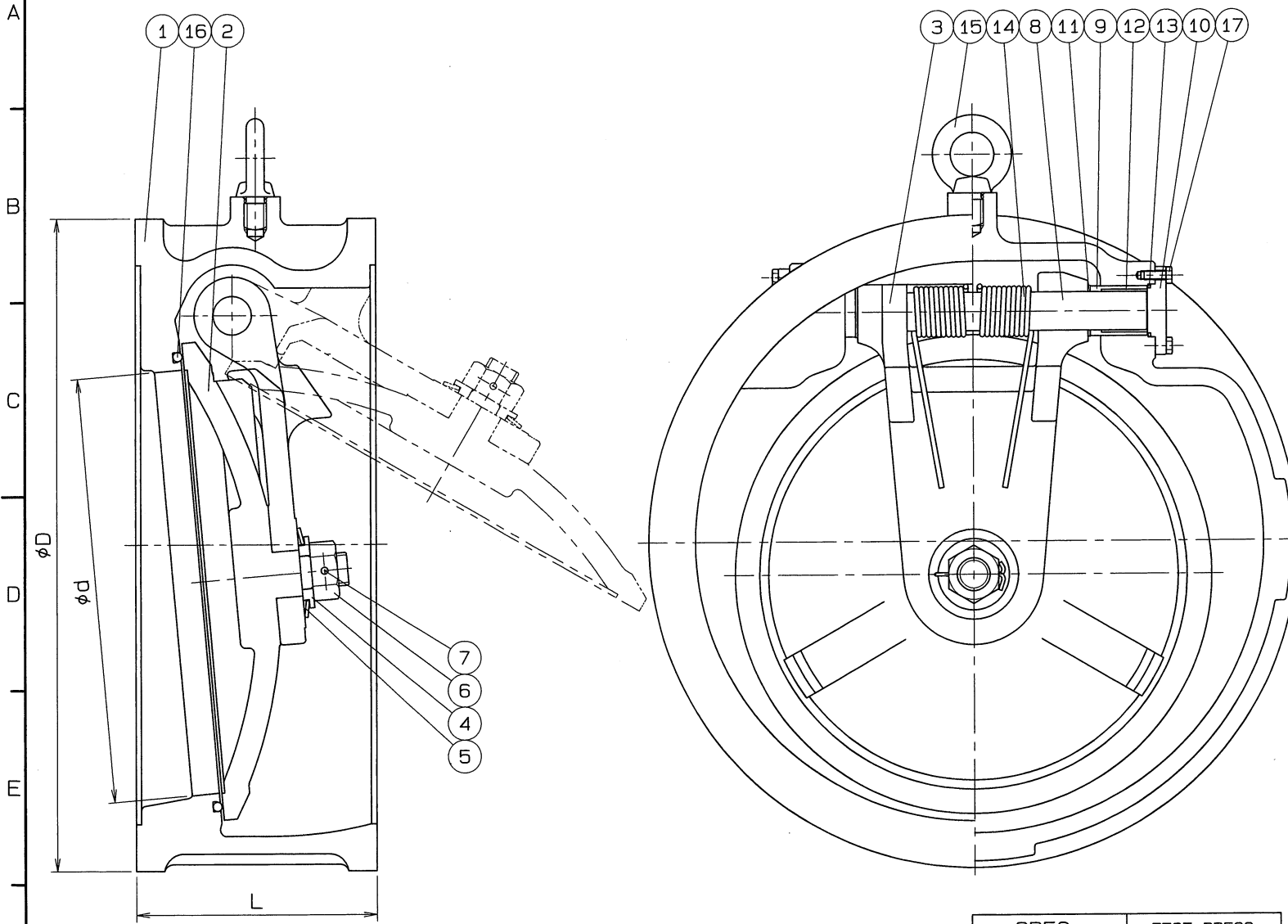


◇ Z600-MMVJ 'ON' SMO

SIZE	d	L	D	Q.TY
350A	270	185	421	
400A	310	191	484	
450A	356	204	539	
500A	387	220	594	



FACE TO FACE: API SPEC 6D

No.15 350A, 400A : M16 , 450A, 500A : M20

No.17 350 A Q'TY: 12

No.	NAME OF PARTS	Q.TY	MATERIALS	REMARKS
17	HEXAGON BOLT	8	SUS 304	
16	O RING	1	NBR	
15	EYE BOLT	1	S45C	
14	SPRING	2	SUS 316WPA	
13	GASKET PACKING	2	P.T.F.E.	
12	BEARING	2	P.T.F.E.	+SUS 316
11	BEARING	2	P.T.F.E.	+SUS 316
10	HINGE COVER	2	SUS 316	
9	SPACER	2	SUS 316	
8	HINGE PIN	1	SUS 316	
7	SPLIT PIN	1	SUS 316WS	
6	HEXAGON NUT	1	SUS 316	
5	CONICAL SPRING	1	SUS 316CSP	
4	PLAIN WASHER	1	SUS 316	
3	DISC ARM	1	SCS 14A	
2	DISC	1	SCS 14A	
1	BODY	1	SCS 14A	

SPEC.		TEST PRESS.	
FLUID		SHELL	HYORO 1.5 MPa
PRESS.	MPa	SEAT	AIR 0.6 MPa
TEMP.	℃		AIR MPa

NAME		
JIS 10K WAFER CHECK VALVES		
TYPE	N-258	SIZE 350 ~ 500 A
DMG.No.	CAWW-0097 ◇	APPROVED BY <i>R. Matsuki</i>
DATE	APR. 17. 2007.	CHECKED BY <i>R. Matsuki</i>
SCALE	:	DESIGNED BY <i>R. Matsuki</i>
THIRD ANGLE PROJECTION METHOD		DRAWN BY <i>R. Matsuki</i>

△		
△		
△	アイボルト材質変更	H27. 5. 8.

**O. N. INDUSTRIES LTD.**